

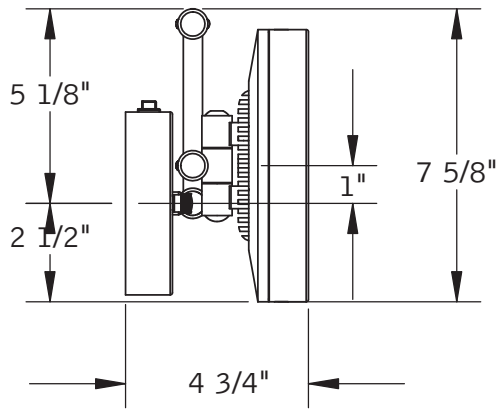


Catalog Number: **BJR-10**

# Baci At Home

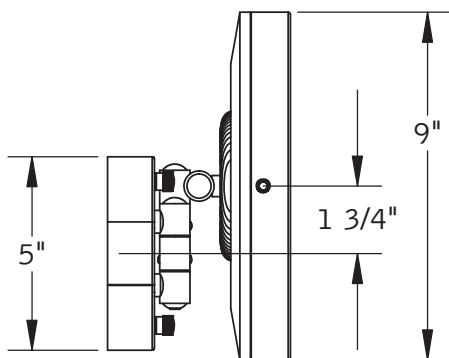


Top view

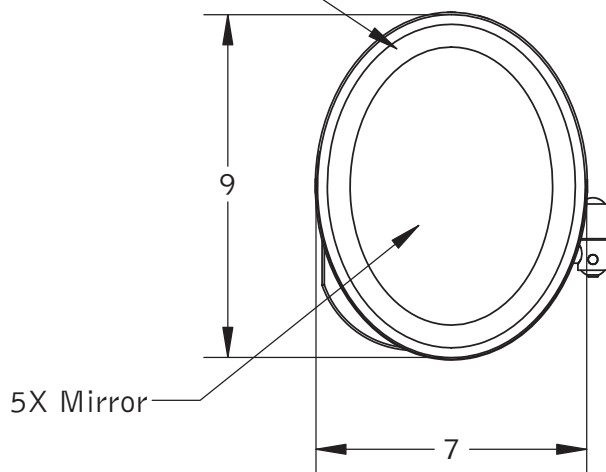


The center of the mirror is 1 3/4" above the center of the outlet box. Since the typical user's eye height is 58 3/4" the outlet box should be centered 57" above the floor

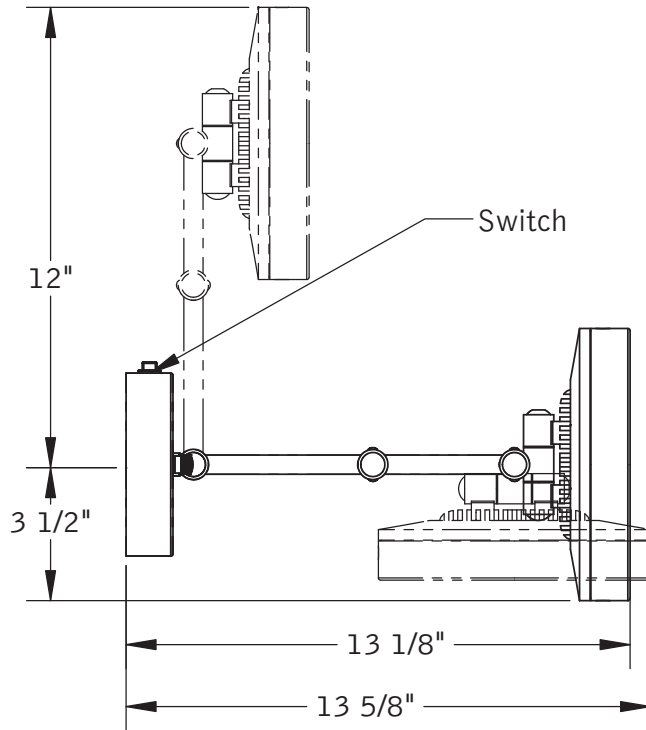
Side view



Lighted area



Top view



Installation

- 1) Attach backplate to the outlet box
- 2) Connect wires - green to ground, white to neutral and black to line
- 3) Slide canopy over the screws protruding from the backplate
- 4) Secure with trim nuts

