

**68" CELANA  
DOUBLE SLIPPER  
COPPER TUB**

Cat. No.  
COTDSN68



L: 67-7/8"  
W: 32"  
H: 31"

Rim: 2 1/2" W  
Water depth: 16 to overflow

**The following is recommended for COTDS tubs without faucet holes:**

- Faucet: **Part #4602, 7393 or 7410**
- Freestanding bath supplies: **Part# 4502**
- Leg tub drain: **Part# 5599LT**



Overflow can be drilled.  
With overflow drilled this tub requires drain 5599 E.  
**Tubs that have been drilled with overflow are "special order" and are not returnable.**

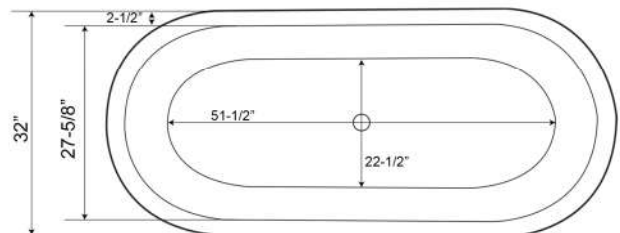
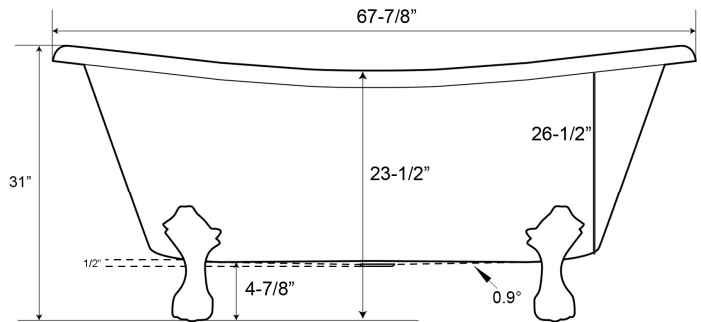
Gallon Capacity without OF: 83  
Shipping Weight: 221 lbs.  
Empty Weight: 104 lbs.  
Filled Weight without OF: 797lbs.  
Filled Weight with OF: 545 lbs.

**Features:**

- ▶ Double slipper
- ▶ Copper claw feet
- ▶ Constructed of 16 gauge copper  
(Copper is a living finish and will patina over time)
- ▶ Hammered copper exterior and shiny interior
- ▶ Rim: 2-1/2"
- ▶ No faucet holes
- ▶ No overflow
- ▶ Hand-crafted construction makes each tub unique

**Tub Finish:**

**AC** Hammered Antique Copper



Dimensions and specifications subject to change without notice.