



Features

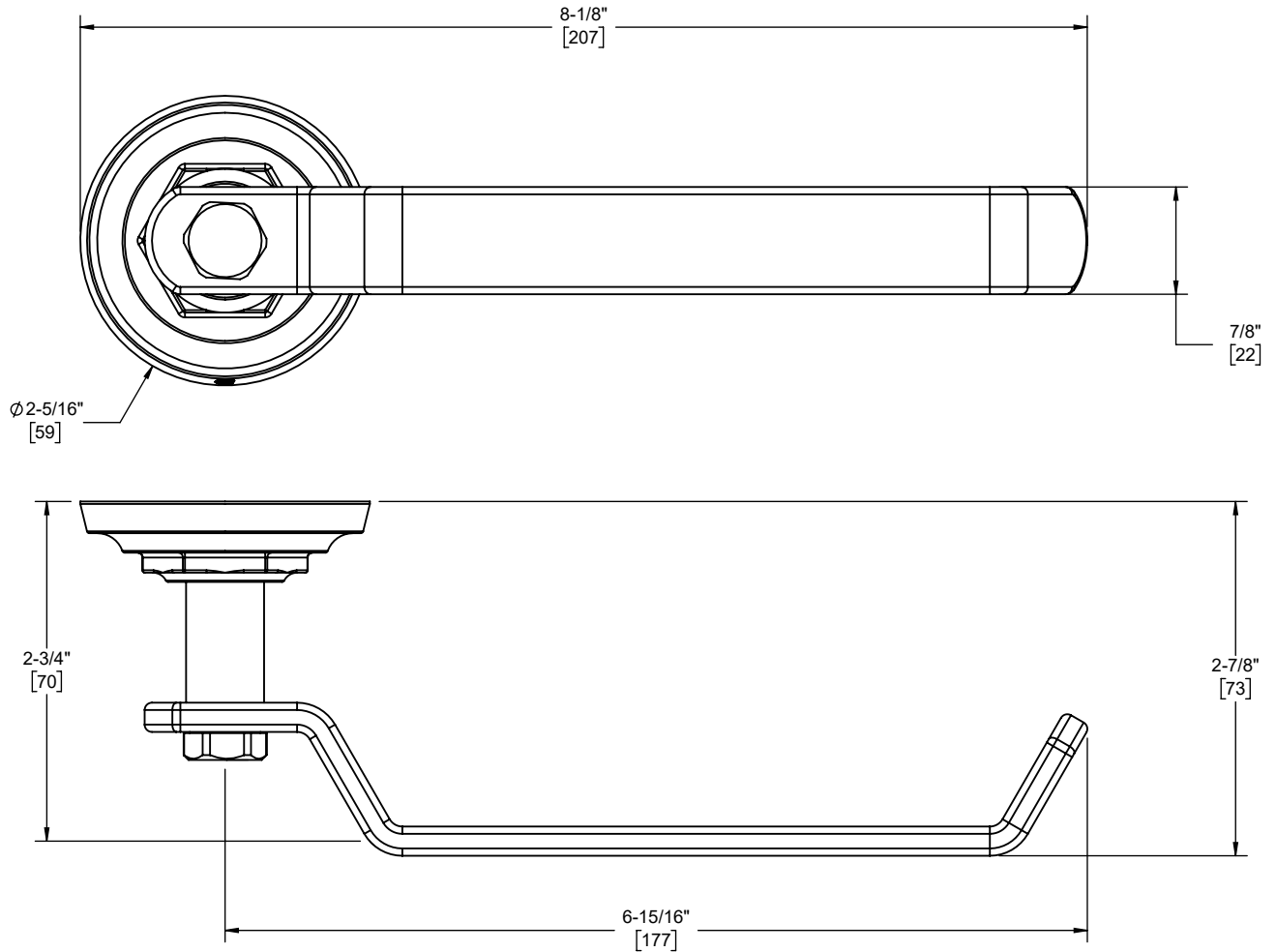
- Available in 28 finishes including 13 PVD finishes
- All brass construction
- Includes all mounting hardware



Codes/Standards

Product meets or exceeds the following:

- None applicable



- (2X) 8 X 1-1/2" PHILLIPS HEAD SCREW
- (2X) 1 X 3/8" WALL ANCHOR

Specifications subject to change without notice

Dimensions are inches, rounded to 1/16"
[Dimensions in brackets are mm, rounded to 1mm]