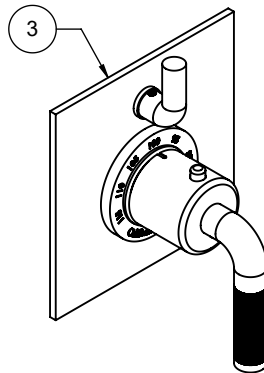
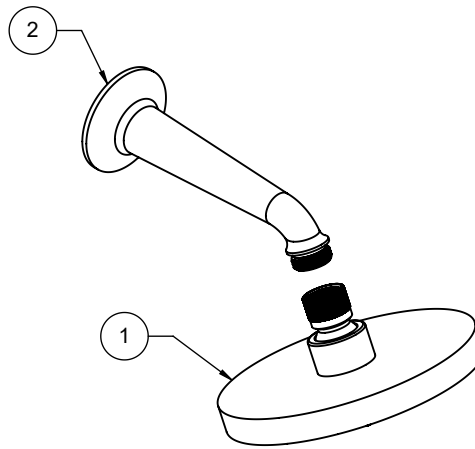




"ZZ" denotes finish, "FR" denotes flow rate

Item	Model	Description	Links
1	SH-083.FR-ZZ	5-5/8" Multi-Function Showerhead	<a href="#">Specification Sheet</a>
2	SH-01.6-ZZ	One Piece 6" Shower Arm & Flange	<a href="#">Specification Sheet</a>
3	TO-THF1L-30K-ZZ	StyleTherm® Trim Only with Single Volume Control	<a href="#">Specification Sheet</a>





California Faucets®

# Shower Arm

One Piece 6" Shower Arm & Flange

SH-01.6

## Features

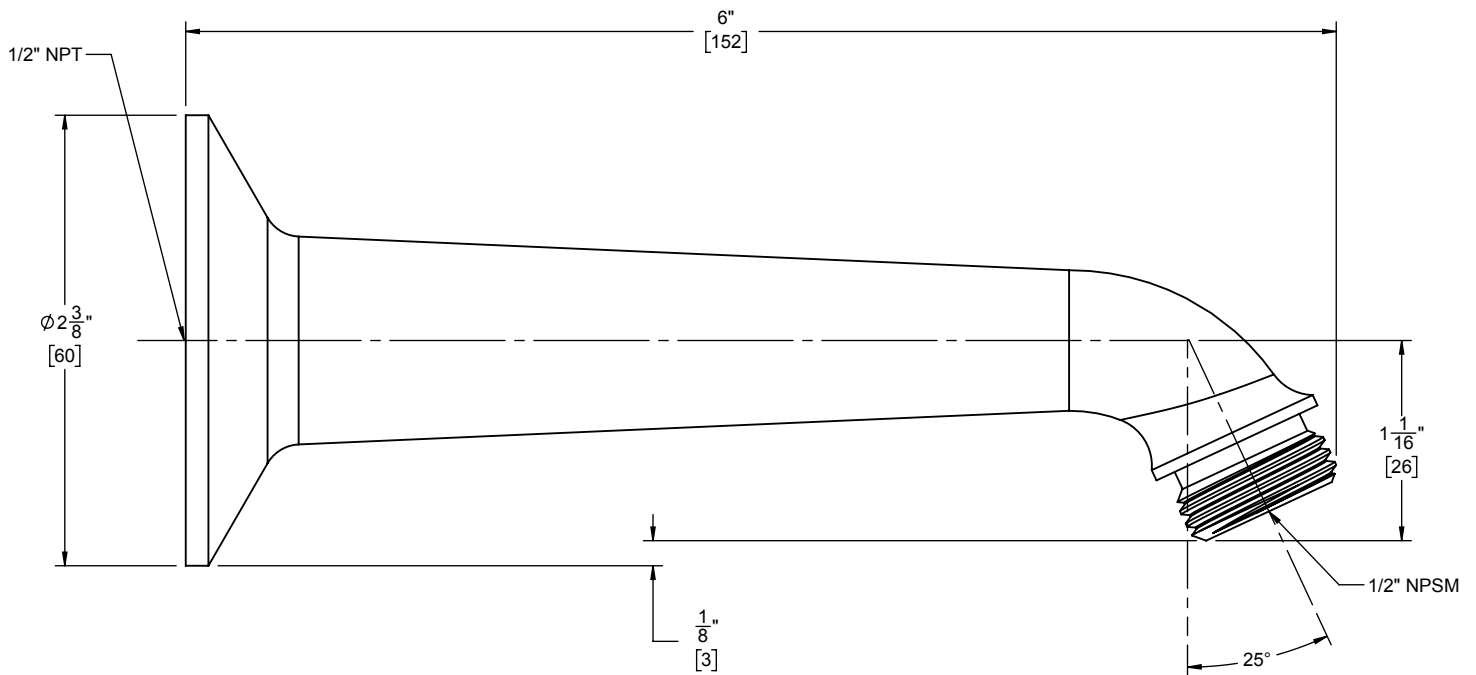
- Available in 28 finishes including 13 PVD finishes
- All brass construction



## Codes/Standards

Product meets or exceeds the following:

- ASME A112.18.1/CSA B125.1





California Faucets®

# SHOWERHEAD

5-5/8" MULTI-FUNCTION CONTEMPORARY

## Features

- 1/2" FIP inlet
- 3 function: rain, air & massage
- Self-cleaning rubber jets
- Solid brass pivot ball & body
- 5-5/8" diameter, gray face
- Available in 28 finishes including 13 PVD finishes
- Replace .FR with desired max flow rate:  
SH-083.25 for 2.5 gpm  
SH-083.20 for 2.0 gpm  
SH-083.18 for 1.8 gpm

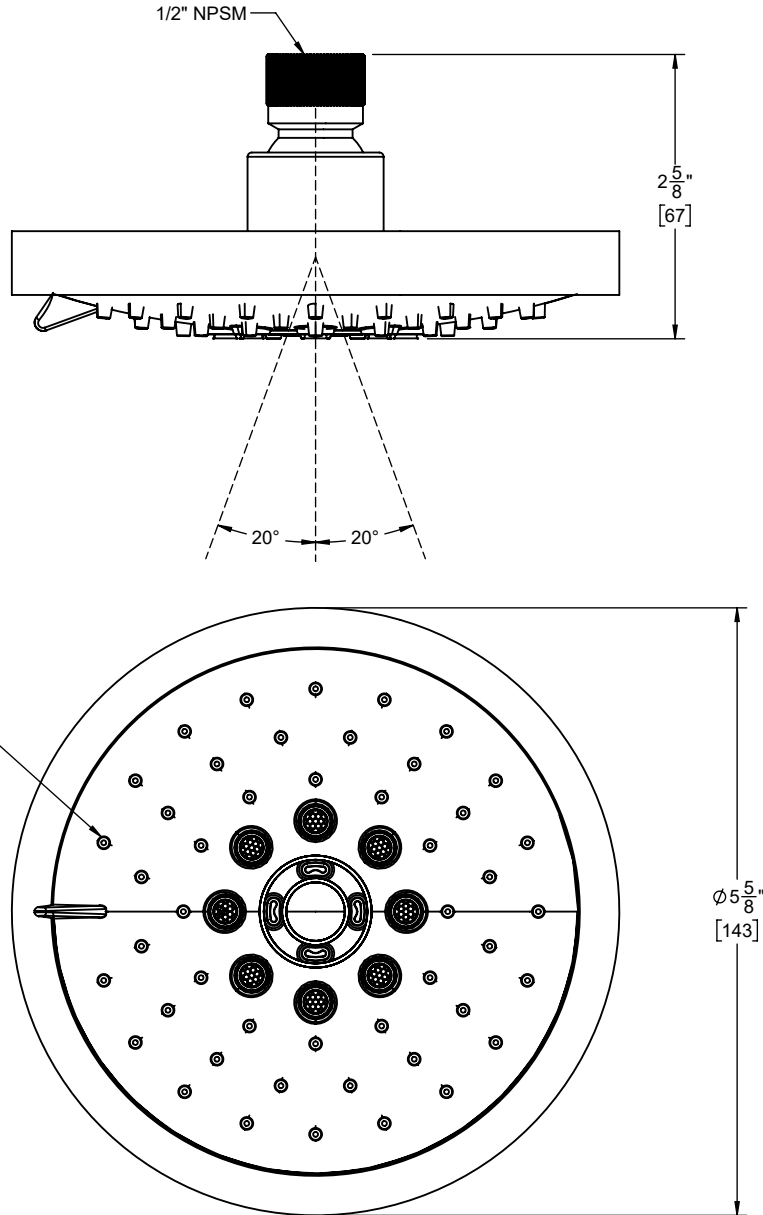
SH-083.25  
SH-083.20  
SH-083.18



## Codes/Standards

Product meets or exceeds the following:

- ASME A112.18.1/CSA B125.1
- CEC (1.8 gpm)
- DOE (2.5, 2.0, & 1.8 gpm)
- Commonwealth of MA
- EPA WaterSense Showerhead (2.0 gpm)





California Faucets®

# Descanso™

## STYLETHERM TRIM ONLY W/ SINGLE VOLUME CONTROL

### Features

- All brass construction
- 100°F safety stop button with manual override
- Single integral volume control
- 5-1/4" square faceplate; flat profile
- Less head, arm and flange
- Engraved brass temperature ring
- Over 30 finishes including 15 PVD finishes

### Codes/Standards Applicable

Product meets or exceeds the following:

- ASME A112.18.1/CSA B125.1
- ASSE 1016
- ADA compliant



(TO-THF1L-30K SHOWN)

## TO-THF1L-30K TO-THF1L-30F

