



California Faucets®

Morro Bay™

STYLETHERM 3/4" THERMOSTATIC TRIM ONLY

Features

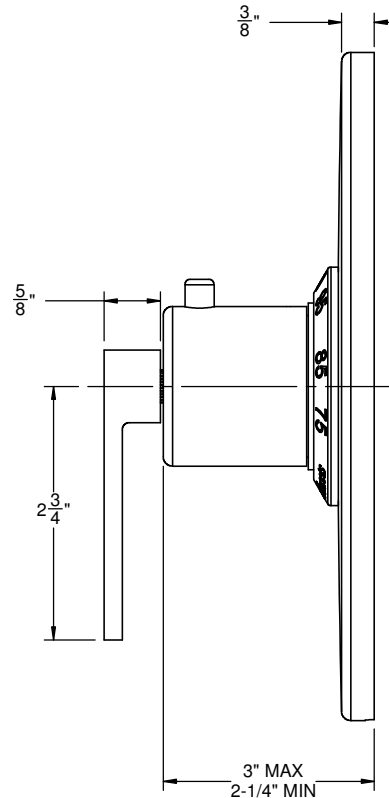
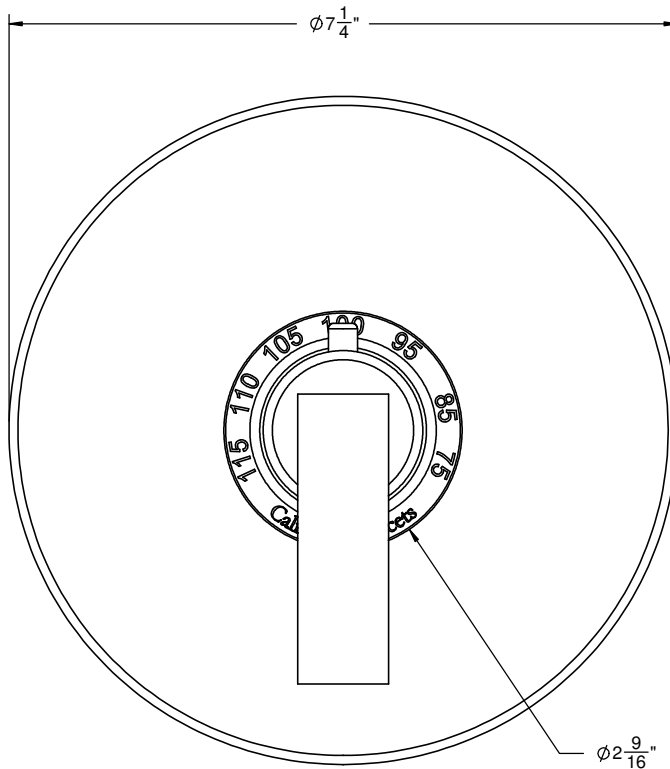
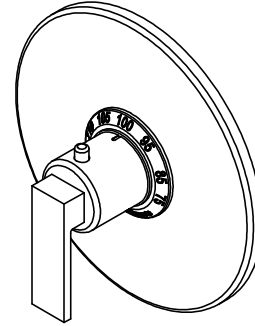
- All brass construction
- 100°F safety stop button with manual override
- 7-1/4" round faceplate
- Engraved brass temperature ring
- Over 30 finishes including 15 PVD finishes

Codes/Standards Applicable

Product meets or exceeds the following:

- ASME A112.18.1/CSA B125.1
- ASSE 1016
- ADA compliant

TO-THN-77



ALL DIMENSIONS SHOWN TO NEAREST 1/16"