

INSTALLATION INSTRUCTIONS

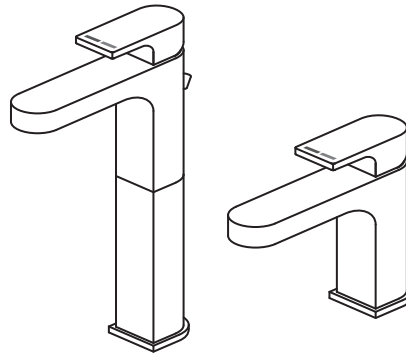


Equility™ (Formerly LYNDON®) Monoblock and Vessel Lavatory Faucets

Model D3510910C

Model D3510915C

Thank you for selecting DXV. To ensure that your installation proceeds smoothly, please read these instructions carefully before you begin.



RECOMMENDED TOOLS AND MATERIALS

Most of the procedures require the use of common tools and materials, which are available from hardware and plumbing supply stores. It is essential that the tools and materials be on hand before work is begun.



Adjustable Wrench



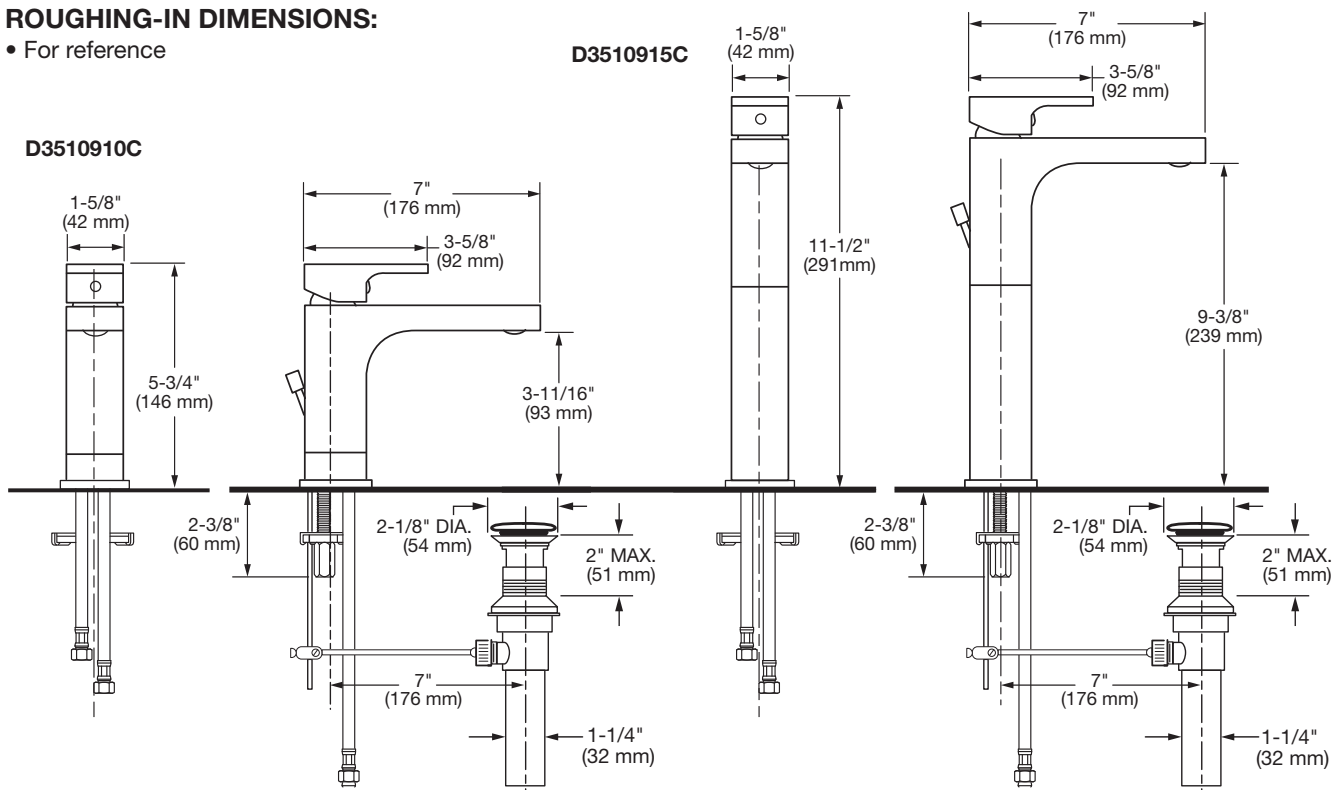
Channel Locks



Flat Blade Screwdriver

ROUGHING-IN DIMENSIONS:

• For reference



NOTE: MOUNTING HOLES ARE 1-3/8" D. (35 mm)

In the United States:

DXV
One Centennial Avenue
Piscataway, New Jersey 08855
Attention: Director of Customer Care

For residents of the United States, warranty information may also be obtained by calling the following toll free number: (800) 227-2734
www.DXV.com

In Canada:

DXV
5900 Avebury Road
Mississauga, Ontario
L5R 3M3
Canada

Toll Free: 1-800-387-0369
Local: 905-306-1093
Fax: 1-800-395-1498
www.DXV.ca

In Mexico:

DXV
Via Morelos 330
Col. Santa Clara Coatitla
Ecatepec, Estado de México 55540

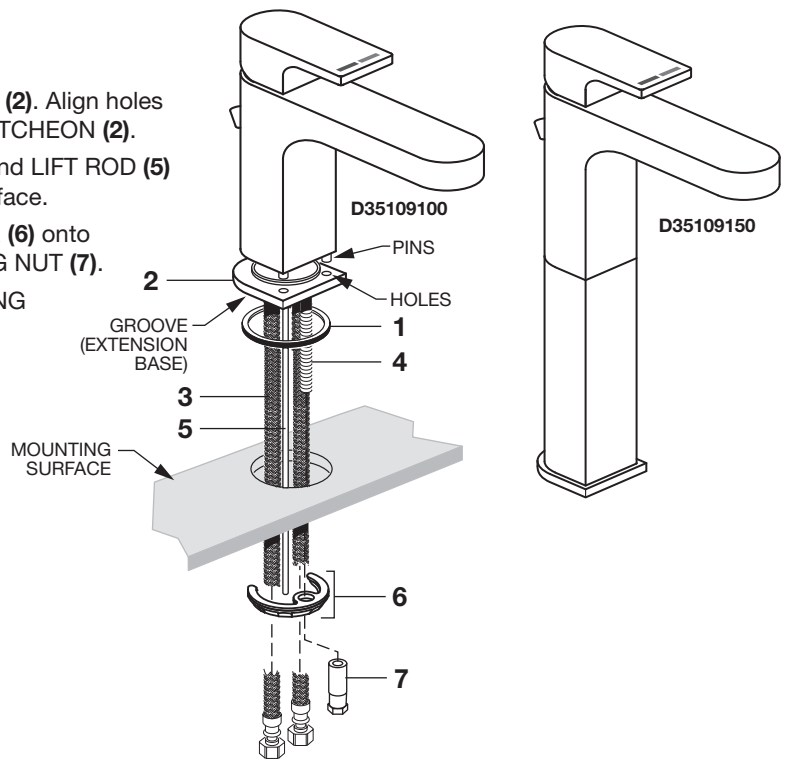
Toll Free: 01-800-8391200
www.DXV.mx

SAVE FOR FUTURE USE

1 INSTALL FAUCET (D3510910C & D3510915C)

CAUTION Turn off hot and cold water supplies before beginning.

- Seat SEAL (1) into under side of ESCUTCHEON (2).
- Install FAUCET SUPPLIES (3) through ESCUTCHEON (2). Align holes in ESCUTCHEON (2) with pins in faucet. Install ESCUTCHEON (2).
- Feed FAUCET SUPPLIES (3), MOUNTING STUD (4) and LIFT ROD (5) through the mounting hole of lavatory or mounting surface.
- From below, push GASKET and RETAINING WASHER (6) onto MOUNTING STUD (4). Secure Faucet with MOUNTING NUT (7).
- Adjust Faucet so that it is centered. Tighten MOUNTING NUT (7) to complete faucet mounting.



2 INSTALL POP-UP DRAIN

Figure 2a

- Apply a bead of PUTTY (1) to underside of FLANGE (2).
- Drop FLANGE (2) into LAVATORY DRAIN (3). From below assemble RUBBER GASKET (4), PLASTIC WASHER (5) and LOCK NUT (6) onto DRAIN FLANGE (2). Do not tighten fully.

Figure 2b

- Inspect inside DRAIN BODY (7) that SEAL (8) is installed. Thread DRAIN BODY (7) tight against FLANGE (2) to make a water tight seal. The PIVOT ROD OPENING (9) in DRAIN BODY (7) should face the rear of the lavatory. Tighten LOCK NUT (6) on FLANGE (2) to make a water tight connection with channel locks. Do not over tighten.
- Apply sealant or Teflon tape to threads of TAILPIECE (10) and thread into DRAIN BODY (7) making a water tight seal.

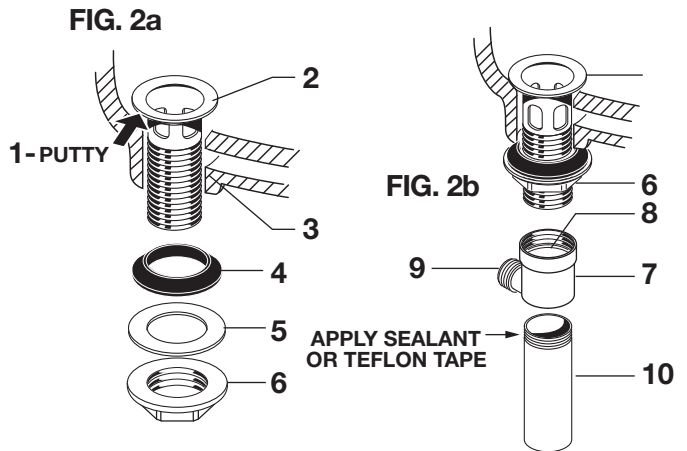
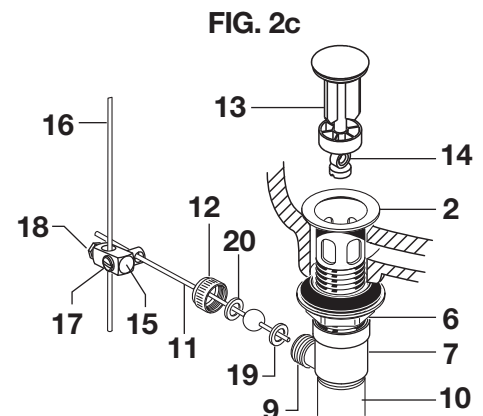


Figure 2c

- Assemble PIVOT ROD (11), WASHER (20) and PIVOT NUT (12) as shown. Install CONCAVE WASHER (19) into PIVOT ROD OPENING (9) if not preinstalled. Hand tighten PIVOT NUT (12). Drop STOPPER (13) into drain. (To vandal proof drain rotate STOPPER (13) so PIVOT ROD (11) goes through EYE (14) of STOPPER (13). Make connection to "P" TRAP.
- Assemble POP-UP SWIVEL (15) to PIVOT ROD (11) but do not tighten. Drop POP-UP ROD (16) through other hole in POP-UP SWIVEL (15) and tighten SET SCREW (17).
- Adjust STOPPER (13) height by repositioning POP-UP ROD (16) in SWIVEL (15) and tightening SET SCREW (18).

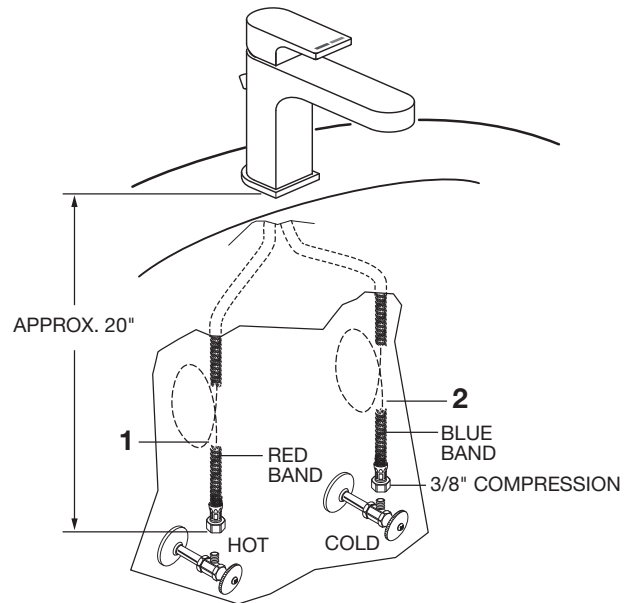


3 MAKE WATER SUPPLY AND WASTE CONNECTIONS

- Connect FLEXIBLE SUPPLIES (1, 2) directly to wall supplies. Connection on fitting supplies are 3/8" compression. Connect left SUPPLY (1) to Hot (Marked with a Red Band) and right supply to COLD (2) wall supply.
- Faucet supplies are 20" long from faucet base.

Note: If additional supply length is required, installer must purchase additional parts separately.

Important: If SUPPLY HOSES (1, 2) are to long, loop as illustrated to avoid kinking

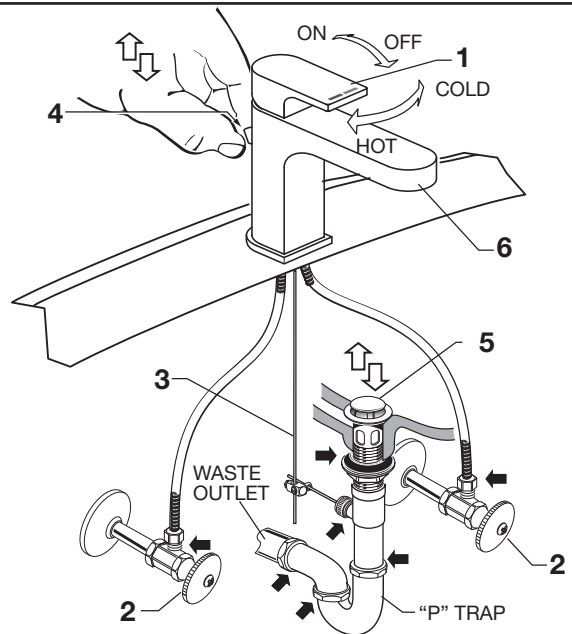


4 TEST INSTALLED FITTING

- Move HANDLE (1) in OFF position.
- Remove AERATOR (6) and clean if necessary.
- Turn on WATER SUPPLIES (2) and check all connections for leaks. ➡

CHECK DRAIN CONNECTIONS

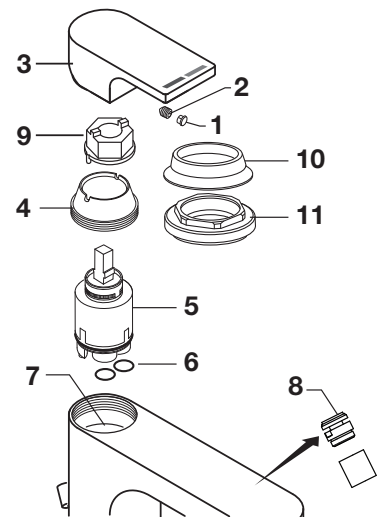
- Operate POP-UP KNOB (4) and fill lavatory with water. Check that DRAIN STOPPER (5) makes a good seal and retains water in SINK. If DRAIN STOPPER (5) does not seal properly, adjust POP-UP ROD (3).
- Release POP-UP KNOB (4) down and check all drain connections and "P" trap for leaks. ➡ Tighten if necessary.



5 SERVICE

CAUTION Turn off hot and cold water supplies before beginning.

- To remove or replace cartridge:
 - Turn valve to OFF position.
 - Pull out PLUG BUTTON (1) and loosen HANDLE SCREW (2).
 - Pull off HANDLE (3).
 - Unthread and remove CARTRIDGE NUT (4) with CARTRIDGE RING NUT KEY (9). **For Polished Chrome**
 - Pull CARTRIDGE COVER (10) off and unthread CARTRIDGE RING NUT (11). **For Brushed Nickel and Matte Black**
 - Pull out CARTRIDGE (5).
 - Inspect CARTRIDGE (5) and O-RINGS (6) for debris and clean if necessary.
 - Clean MANIFOLD (7) and rinse clean.
 - Reinstall CARTRIDGE (5) and O-RINGS (6) onto MANIFOLD (7).
 - Reinstall CARTRIDGE NUT (4), CARTRIDGE RING NUT KEY (9) and HANDLE ASSEMBLY (3). **For Polished Chrome**
 - Reinstall CARTRIDGE RING NUT (11), CARTRIDGE COVER (10) and HANDLE ASSEMBLY (3). **For Brushed Nickel and Matte Black**



- If spout drips, operate handle several times from OFF to ON and HOT to COLD position. Do not force handle.
- AERATOR (8) may accumulate debris causing distorted or reduced water flow. Remove AERATOR (8) and and/or water supplies and rinse clean.



Equility™ (Formerly LYNDON®) Single Control Monoblock and Vessel Lavatory Faucet

MODEL NUMBERS

D3510910C
D3510915C

Replace the "YYY" with
appropriate finish code

POLISHED CHROME	100
BRUSHED NICKEL	144
MATTE BLACK	243

