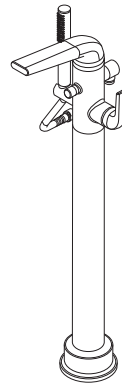


# INSTALLATION INSTRUCTIONS

## DXV Modulus™ Free Standing Floor Mount Tub Filler

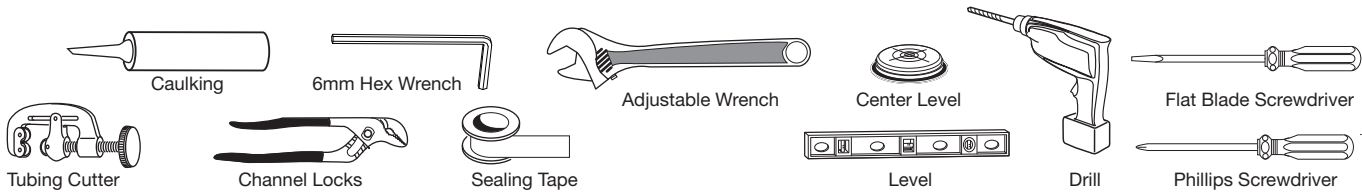
Model D35120951

Thank you for selecting DXV. To ensure that your installation proceeds smoothly, please read these instructions carefully before you begin.



### RECOMMENDED TOOLS AND MATERIALS

Most of the procedures require the use of common tools and materials, which are available from hardware and plumbing supply stores. It is essential that the tools and materials be on hand before work is begun.



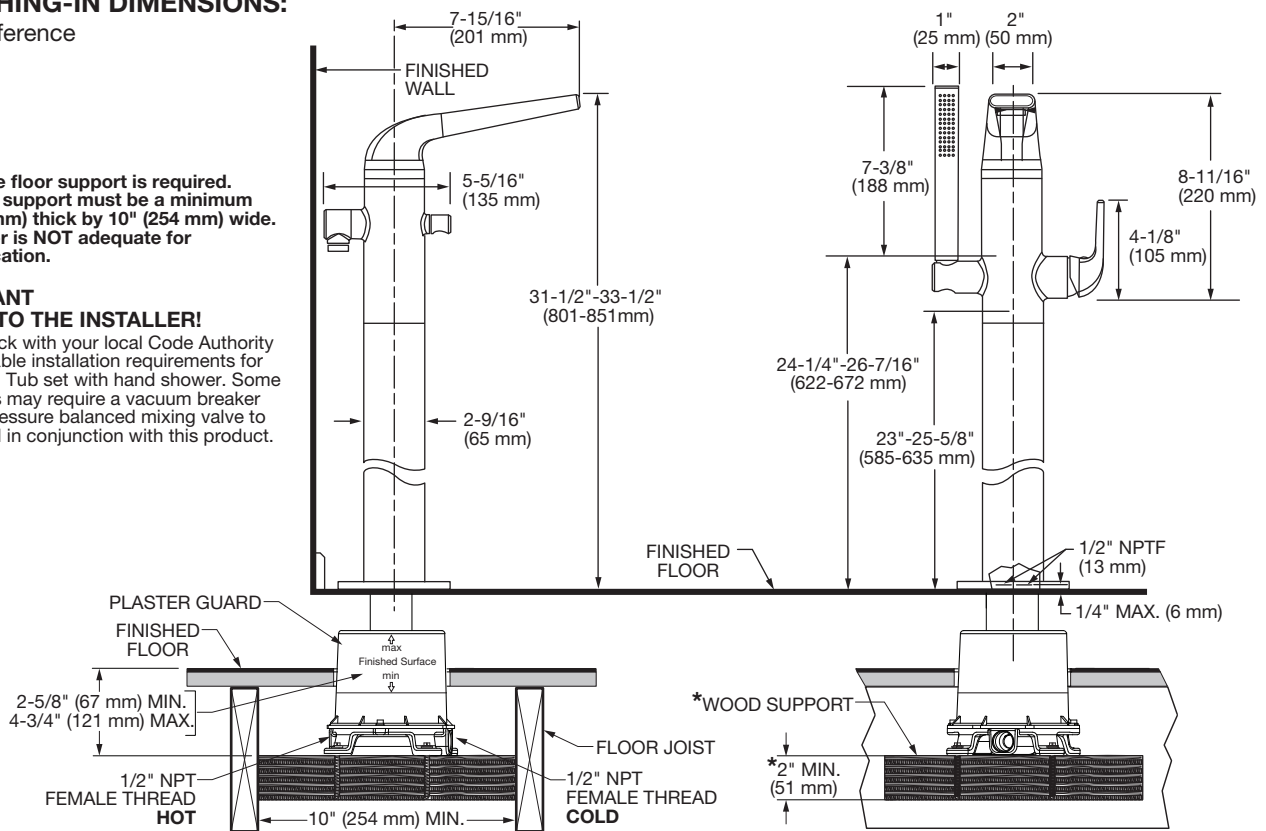
### ROUGHING-IN DIMENSIONS:

- For reference

**\*Adequate floor support is required. The wood support must be a minimum of 2" (51 mm) thick by 10" (254 mm) wide. 2x6 lumber is NOT adequate for this application.**

#### IMPORTANT NOTICE TO THE INSTALLER!

Please check with your local Code Authority for acceptable installation requirements for this Roman Tub set with hand shower. Some local codes may require a vacuum breaker and/or a pressure balanced mixing valve to be installed in conjunction with this product.



#### In the United States:

DXV  
One Centennial Avenue  
Piscataway, New Jersey 08855  
Attention: Director of Customer Care

For residents of the United States, warranty information may also be obtained by calling the following toll free number: (800) 227-2734  
[www.DXV.com](http://www.DXV.com)

#### In Canada:

DXV  
5900 Avebury Road  
Mississauga, Ontario  
L5R 3M3  
Canada

Toll Free: 1-800-387-0369  
Local: 905-306-1093  
Fax: 1-800-395-1498  
[www.DXV.ca](http://www.DXV.ca)

#### In Mexico:

DXV  
Via Morelos 330  
Col. Santa Clara Coatitla  
Ecatepec, Estado de México 55540

Toll Free: 01-800-8391200  
[www.DXV.mx](http://www.DXV.mx)

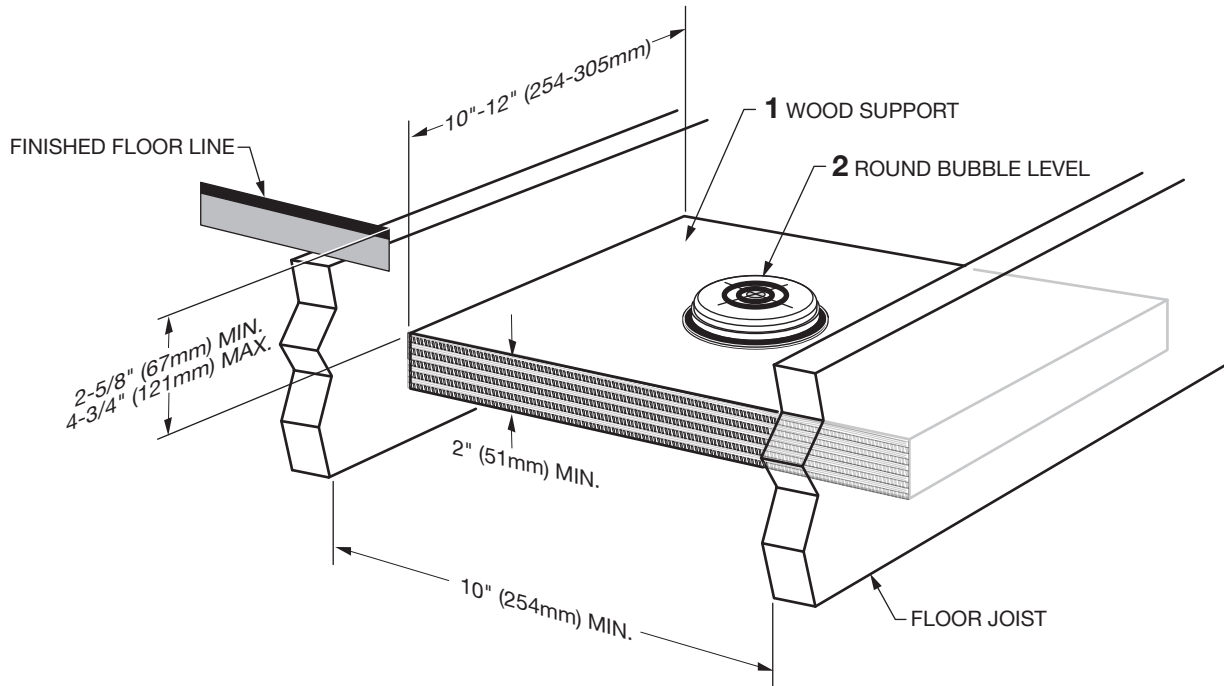
## 1 INSTALL TUB FILLER FLOOR SUPPORT

**CAUTION** Turn off hot and cold water supplies before beginning.

**Note:** Refer to Roughing-in Dimensions on first page for additional information.

- Adequate floor support is required. The WOOD SUPPORT (1) must be a minimum of 2" (51 mm) thick by 10" (254 mm) wide. 2x6 lumber is NOT adequate for this application.
- WOOD SUPPORT (1) must be located within the MIN. and MAX. arrows that are marked on the PLASTER GUARD (3).

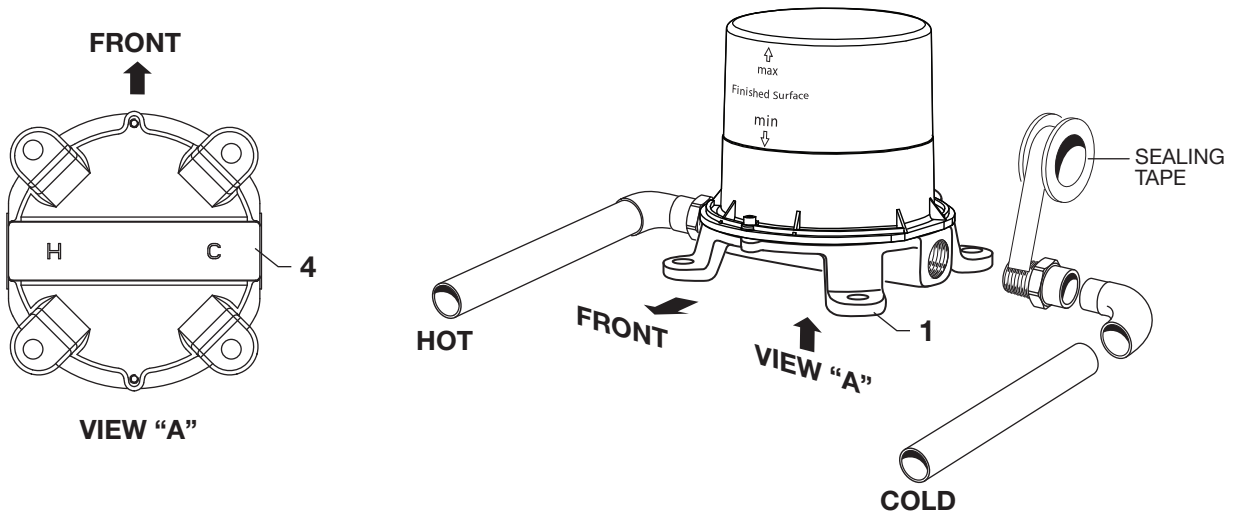
**IMPORTANT:** Use a ROUND BUBBLE LEVEL (2) to level the WOOD SUPPORT (1). The WOOD SUPPORT (1) must be perfectly level. Secure WOOD SUPPORT (1) to floor joists. Check for level again.



## 2 INSTALL HOT AND COLD WATER SUPPLIES

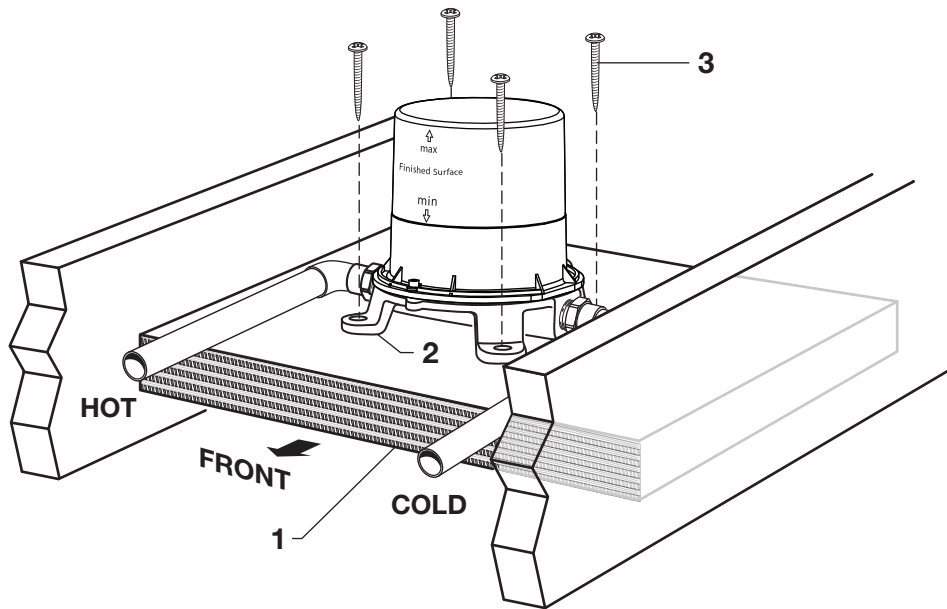
- Sweat together Hot and Cold Supply assemblies. Apply sealing tape to threaded connections. Tighten connections so that the Hot inlet will be on the left when facing the front of the Tub Filler.

**Note:** Turn MANIFOLD MOUNTING BASE (1) over. The Hot and Cold inlets are marked. See View "A".



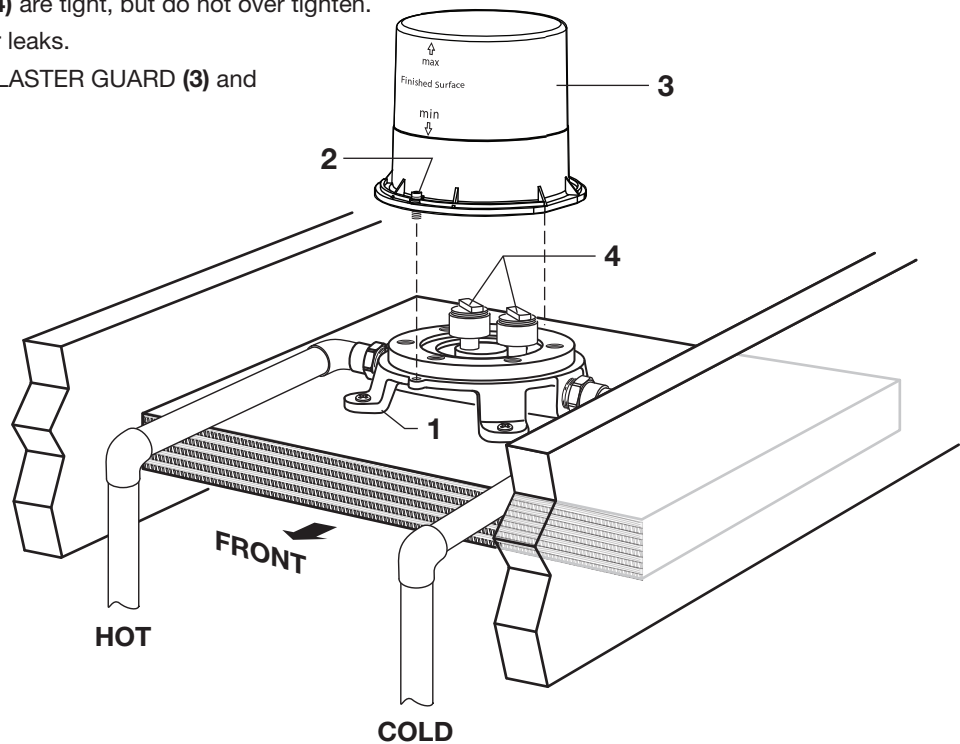
### 3 INSTALL MANIFOLD MOUNTING BASE

- Locate the position on the wood support where the MANIFOLD MOUNTING BASE (2) will be installed. Use the MANIFOLD MOUNTING BASE (2) as a guide to mark the four mounting hole locations.
- Drill pilot holes if required.
- Secure the MANIFOLD MOUNTING BASE (2) to the WOOD SUPPORT (1) with SCREWS (3) provided.
- Verify that the MANIFOLD MOUNTING BASE (2) is level and then fully tighten SCREWS (3).



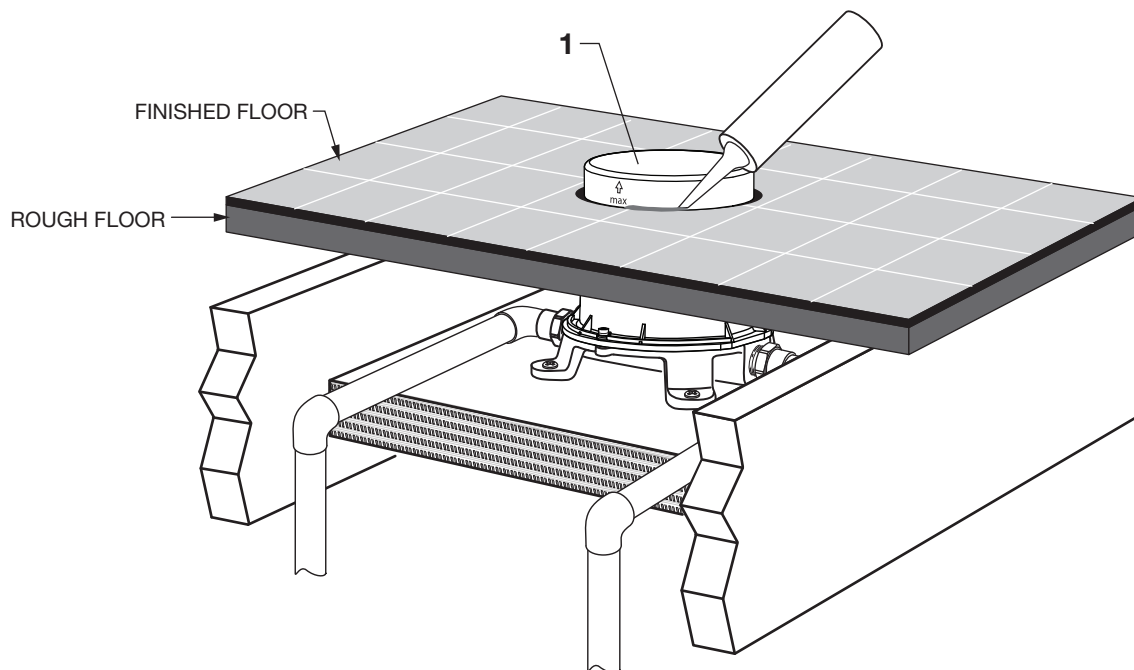
### 4 FINISH PLUMBING CONNECTIONS

- Finish all Hot and Cold supply connections to the MANIFOLD MOUNTING BASE (1).
- Loosen the two PLASTER GUARD SCREWS (2) and remove the PLASTER GUARD (3).
- Make sure the two TEST PLUGS (4) are tight, but do not over tighten.
- Turn on water supplies and test for leaks.
- Turn off water supplies. Replace PLASTER GUARD (3) and attach with SCREWS (2).



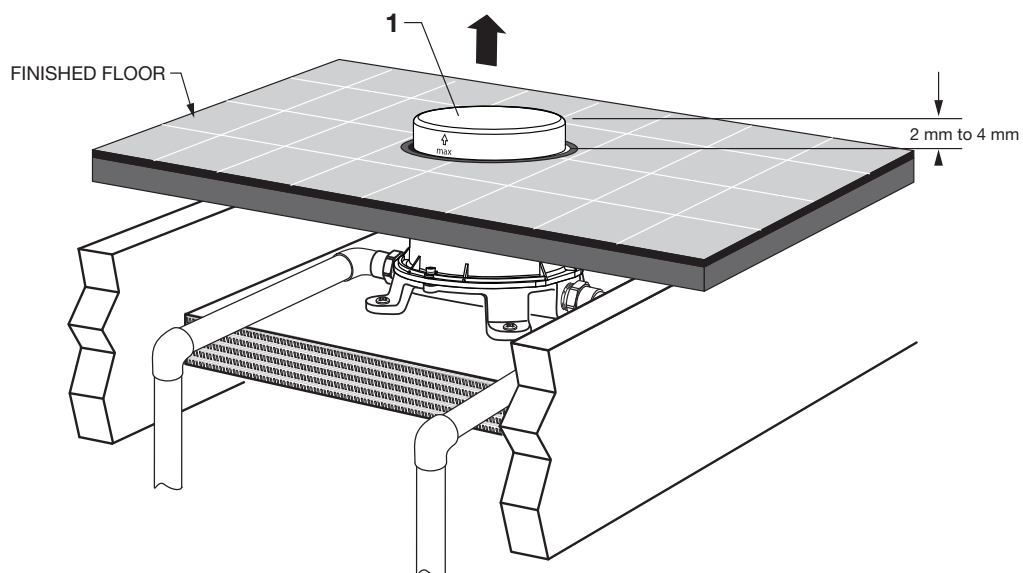
## 5 FINISH FLOOR INSTALLATION

- Complete the installation of the Finished Floor. Tile as close to the PLASTER GUARD (1) as you can.
- Caulk between Finished Floor and PLASTER GUARD (1).



## 6 REMOVE EXPOSED PLASTER GUARD

- Cut the exposed part of the PLASTER GUARD (1) 2 to 4 mm above finished floor. Be careful not to damage the floor.



## 7 REMOVE HOT AND COLD TEST PLUGS

- With a wrench remove the center TEST PLUG (1) first. **Figure A.** If the TEST PLUGS (1) cannot be removed in one piece as shown in **Figure A**, the lower half will have to be removed using a 6 mm Hex Wrench, **Figure B.**

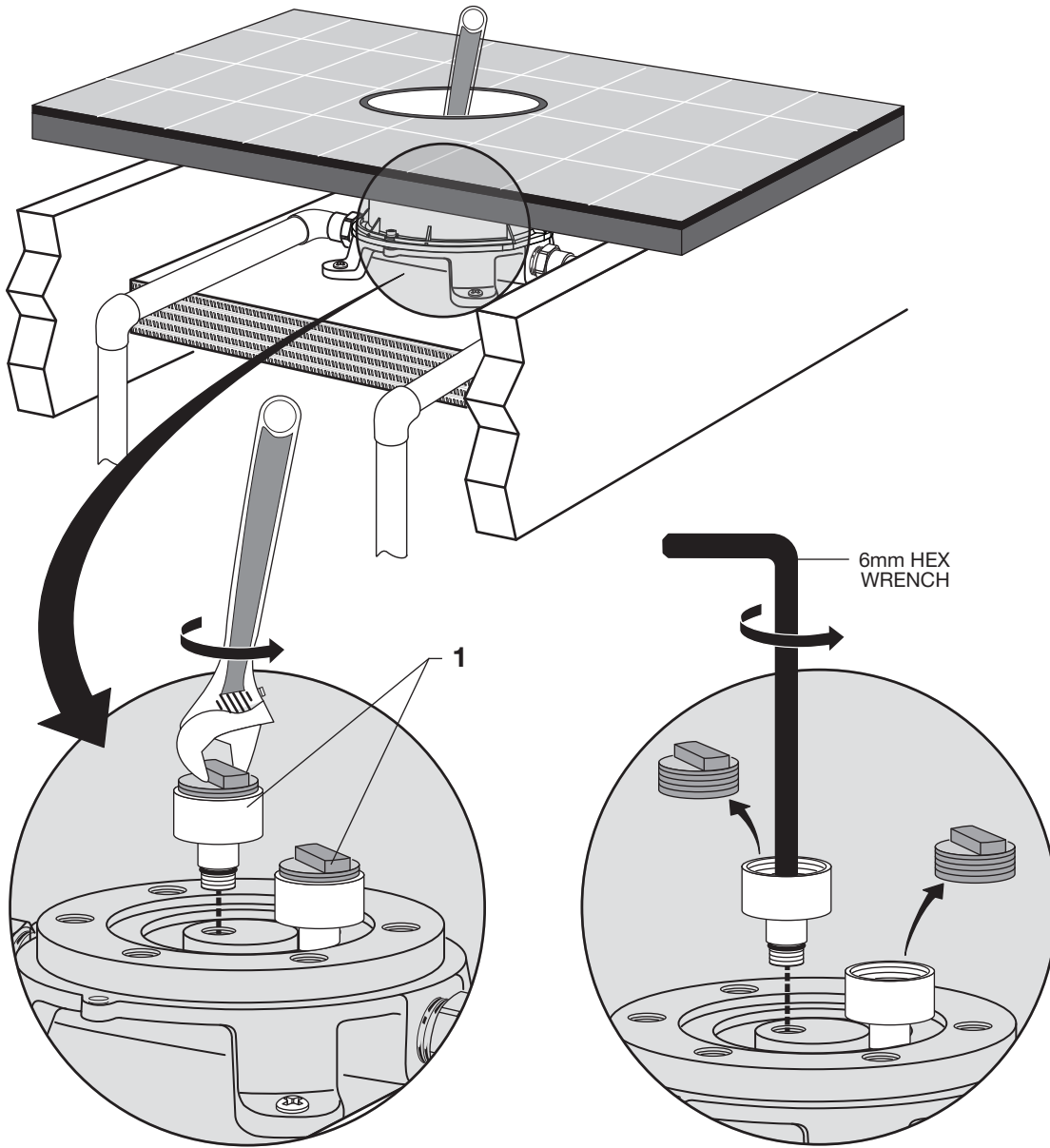
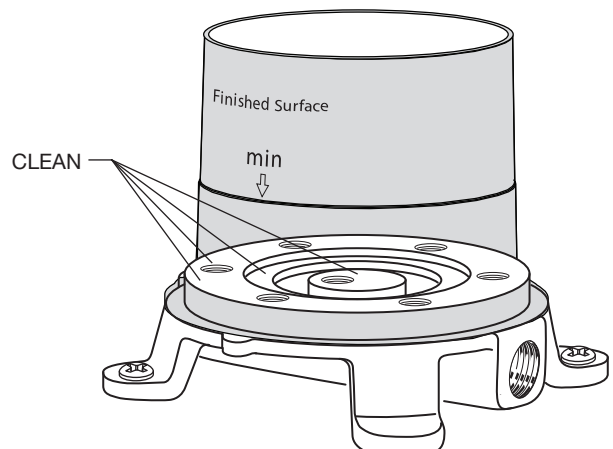


FIGURE "A"

FIGURE "B"

## 8 CLEAN ALL FITTING MOUNTING SURFACES

- **Vacuum** and clean all mounting surfaces and mounting holes.  
**IMPORTANT: Debris on sealing surface will cause Tub Filler to leak at this connection.**

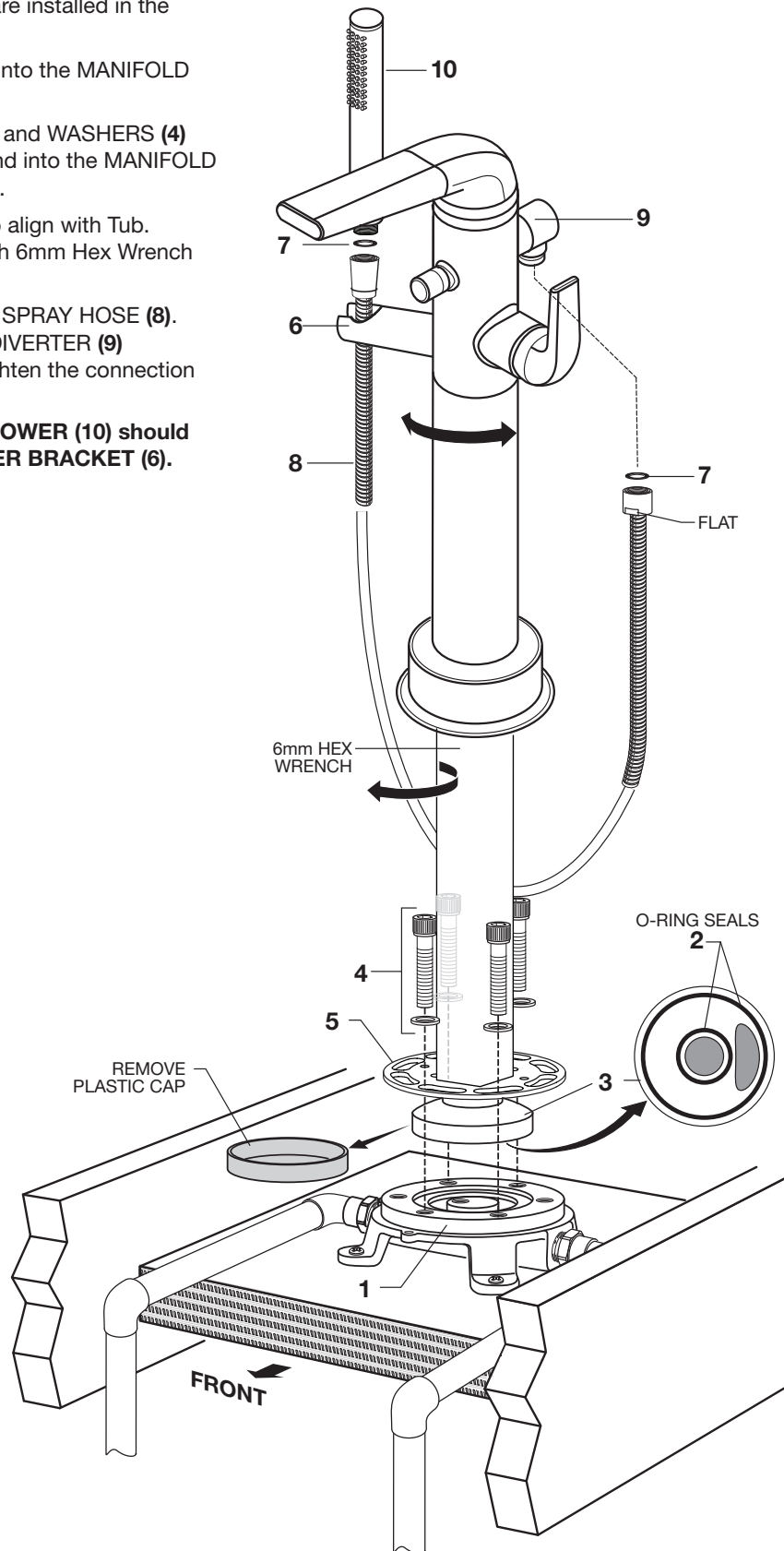


## 9 INSTALL TUB FILLER

**Note: Floor and plaster guard are removed for clarity in this illustration.**

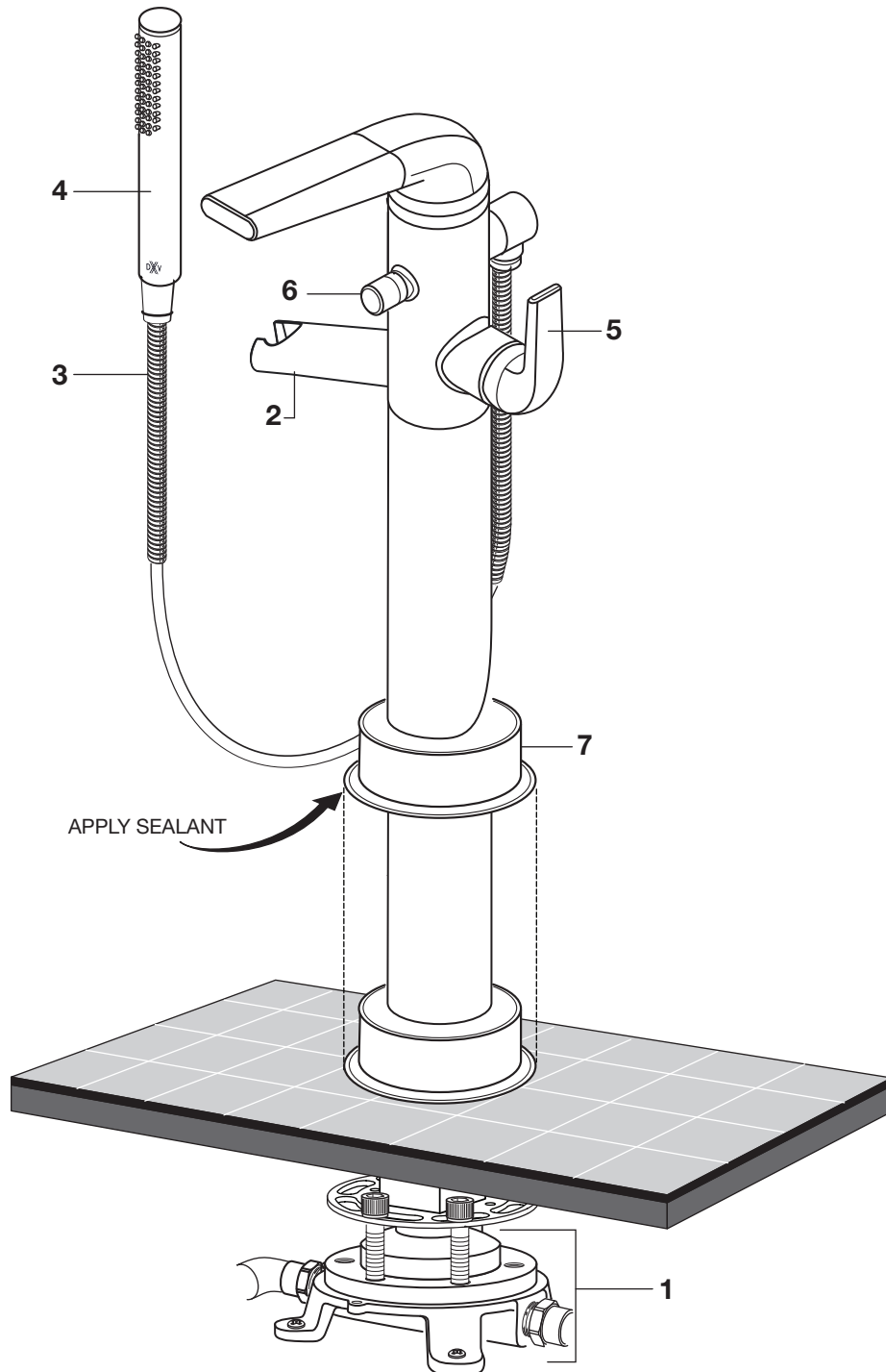
- Remove PLASTIC CAP from MOUNTING ADAPTER (3).
- Before final installation, check that all sealing surfaces are clean and that the two O-RINGS (2) are installed in the MOUNTING ADAPTER (3).
- Install the MOUNTING ADAPTER (3) into the MANIFOLD MOUNTING BASE (1).
- Install the four MOUNTING SCREWS and WASHERS (4) through the MOUNTING PLATE (5) and into the MANIFOLD MOUNTING BASE (1). Do not tighten.
- Rotate the TUB FILLER right or left to align with Tub. Tighten MOUNTING SCREWS (4) with 6mm Hex Wrench to secure TUB FILLER.
- Install SEALS (7) on both ends of the SPRAY HOSE (8). Connect the end with the flat to the DIVERTER (9) using an adjustable wrench. Hand tighten the connection to the HAND SHOWER (10).

**Note: When not in use, the HAND SHOWER (10) should be seated in the HAND SHOWER BRACKET (6).**



## 10 TEST INSTALLED FAUCET

- Move HANDLE (5) into “off” position.
- Turn on water supplies and check all connections for leaks. Check MANIFOLD (1) connections for leaks.
- Apply sealant to under side edge on ESCUTCHEON (7). Slide ESCUTCHEON (7) down to finished floor. Press into place. Clean up excess sealant.
- Operate HANDLE (5) On to Off, Hot and Cold to flush water lines thoroughly.
- Lift HAND SHOWER (4) from the holder and direct spray into tub. Unthread HAND SHOWER (4) and HOSE (3). Pull DIVERTER KNOB (6) and check HOSE (3) connections for leaks. Thread HAND SHOWER (4) back onto HOSE (3).
- Push DIVERTER KNOB (6) in and place HAND SHOWER (4) into HOLDER (2).





# DXV Modulus™ Free Standing Floor Mount Tub Filler

MODEL NUMBER

**D35120951**

Replace the "YYY" with appropriate finish code

POLISHED CHROME	100
BRUSHED NICKEL	144
PLATINUM NICKEL	150
MATTE BLACK	243

