



# EQUILITY™

## SINGLE LEVER AND VESSEL FAUCETS



- Minimalist cast brass spout
- Ceramic disc valve cartridge
- 3/8" compression braided, stainless steel flexible supply hose
- Lead Free—faucet contains  $\leq 0.25\%$  total lead content by weighted volume
- Low flow rate: 1.2 gpm (4.5 L/min)
- Red and Blue (hot/cold) indicator markings on handle

### CODES AND STANDARDS

Meets or Exceeds ASME A112.18.1/ CSA B125.1, NSF 61/Section 9

EPA WaterSense® Certified

Certified Compliant with  $\leq 0.25\%$  Weighted Average Lead Content Regulations

CEC and CALGreen® Compliant



### AVAILABLE FINISHES

Polished Chrome  
Brushed Nickel  
Matte Black

### FINISH CODE

100  
144  
243

### DESCRIPTION

Single Lever Faucet  
Vessel Faucet

### PRODUCT NUMBER

D35109100RB.XXX  
D35109150RB.XXX

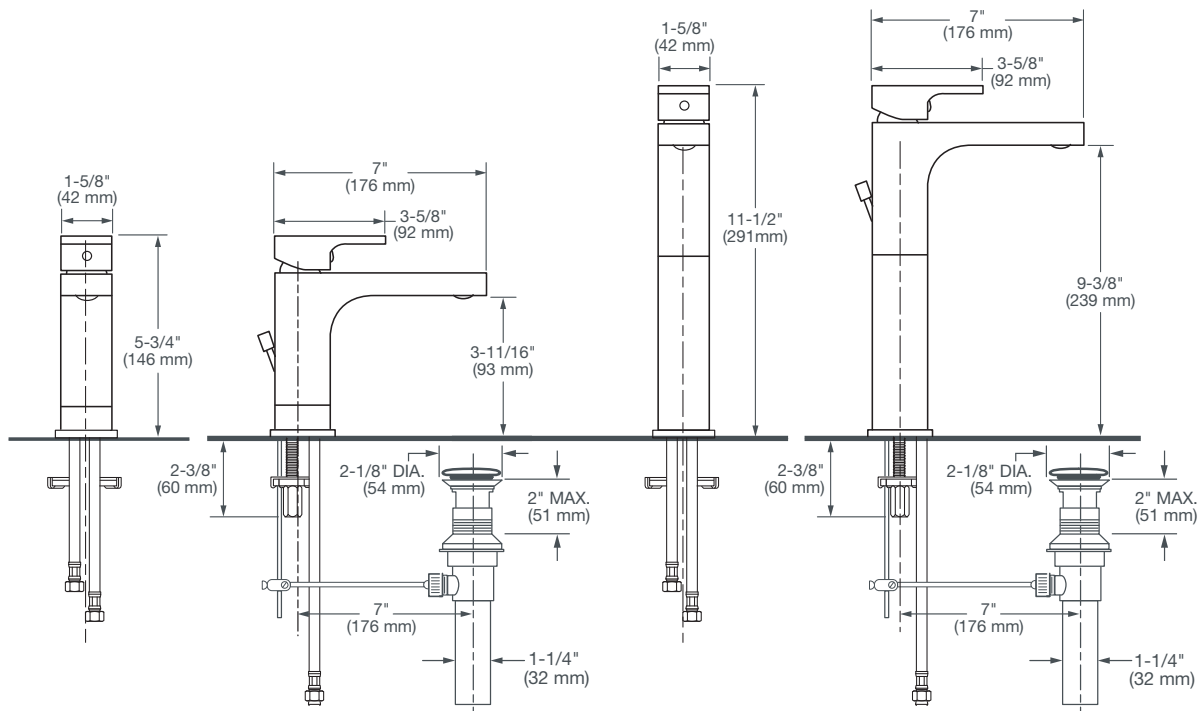
ROUGH-IN DIAGRAM  
SHOWN ON NEXT PAGE

CALGreen® is a registered trademark of California Building Standards Commission.



# EQUILITY™

## SINGLE LEVER AND VESSEL FAUCETS



NOTE: MOUNTING HOLES ARE 1-3/8" D. (35 mm)

**IMPORTANT:** These measurements are subject to change or cancellation. No responsibility is assumed for use of superseded or voided pages.

PART OF LIXIL