

Box Contents:

- Seat Assembly
- (2) Hinge Pins
- (1 ea.) Left & Right Brackets
- (1) Allen Wrench
- (4) #12 x 3" Wood Screws
- Silicone Sealant
- Installation Instructions & Mounting Template

Required Tools

(not included):

- 5/32" Drill Bit
- #2 Phillips Bit
- Electric Drill
- 3/8" Tile Drill Bit

Read the entire WallSeat Installation instructions. Observe all local and National building and safety codes. We recommend consulting a professional if you are unfamiliar with this type of installation.

These instructions contain **WARNING**, **CAUTION** and **NOTICE** safety alert symbols and panels. These alert symbols and panels identify potential safety hazards and provide important information for the installation and use of the WallSeat.

WARNING Indicates a potentially hazardous situation, which, if not avoided, may result in death or serious injury.

CAUTION Indicates a potentially hazardous situation, which, if not avoided, may result in minor or moderate injury or product damage.

NOTICE is used to address practices not related to physical injury.

INSTALLER SECTION

Unpack and inspect the product for any shipping damage. If you find damages, do not install. Contact Customer Service. If you need assistance or have questions about installation of your WallSeat contact Customer or Technical Service

Installation Instructions:

1 Install Header. Header to be of materials and construction as required for the seat to support a minimum of 250 lbs. Typically, a 2" x 6" wooden header spanning across a minimum of three studs is a sufficient minimum requirement, however, wood quality and fastening methods vary and may impact structural integrity and the ability of the seat to support 250 lbs. See figure 1.

WARNING THE MAXIMUM WEIGHT CAPACITY OF THE WALLSEAT IS 250 LBS. (113 kg) WHEN INSTALLED IN ACCORDANCE WITH THESE INSTRUCTIONS. Exceeding the maximum weight may cause mounting failure, resulting in serious injury. Persons weighing more than 250 lbs. should not use the seat.

WARNING Failure to construct and test the header adequately may result in WallSeat mounting failure and result in serious injury.

2. Mount the WallSeat on a suitable surface like tile, granite or marble.

WARNING Consult an architect, engineer or the material manufacturer to determine if the material is suitable for the installation for a wall mounted seat.

WARNING NEVER mount the WallSeat to sheet-rock, drywall, plaster, fiberglass, acrylic or other similar wall surfaces without the appropriate and required header. Failure to heed this warning may cause serious injury.

WARNING NEVER mount the WallSeat to glass, glass tile or any other materials prone to damage. Failure to heed this warning may cause serious injury.

NOTICE Due to variances in local construction methods and materials used, details given below are suggestions only. Consult the appropriate local contractor for specific advice.

3. ALWAYS mount the WallSeat to a vertical wall of conventional, framed construction. NEVER use the WallSeat for any other purpose. NEVER modify the WallSeat. NEVER use metal studs.

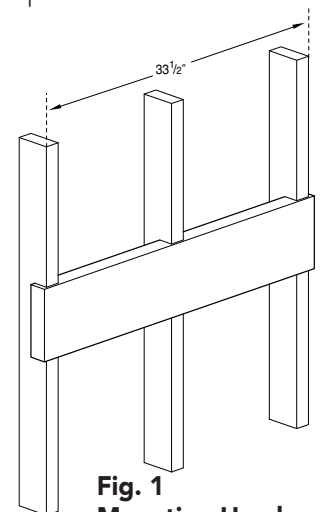


Fig. 1
Mounting Header

WARRANTY To view or download the WallSeat Warranty and register go to: blog.mrsteam.com/wr

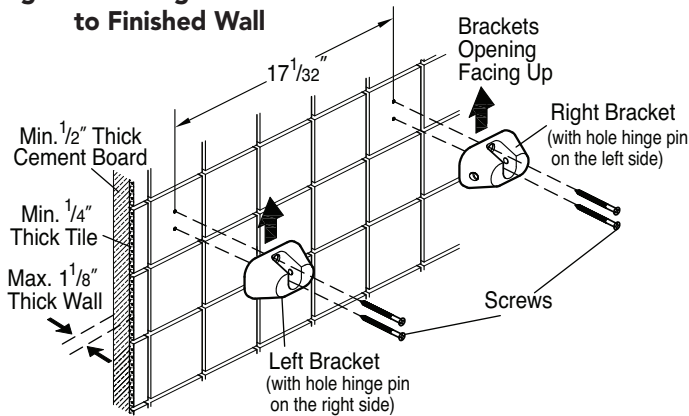
mr.steam®
Sussman-Automatic Corporation®

Sales & Support:
1.800.76.STEAM (East Coast)
1.800.72.STEAM (West Coast)

hello@mrsteam.com

www.mrsteam.com

Products, information and specifications are subject to change without notice. Please call for more information.

Fig. 2 Mounting Brackets to Finished Wall

⚠ WARNING Mounting the WallSeat on a wall that is not vertical, modifying the WallSeat or mounting the WallSeat to a wall with unconventional framing or metal studs may result in serious injury.

4. Mount the seat in a location away from direct steam emissions. Temperatures within steam rooms vary. Test the WallSeat location by using a suitable portable seat during several steam baths to insure the safety and comfort of the user and confirm there are no direct steam emissions near the WallSeat.

⚠ WARNING NEVER install the WallSeat in a location where the WallSeat is near direct steam emission. Failure to heed this warning may cause severe burns, scalding injuries or death.

5. The wall thickness (total thickness of materials not including the studs but including cement board or equal, mastic, tiles or marble...etc.) must not be more than 1 1/8" thick. A wall thickness of more than 1 1/8" may prevent the mounting screws from adequately penetrating the header. See figure 2.

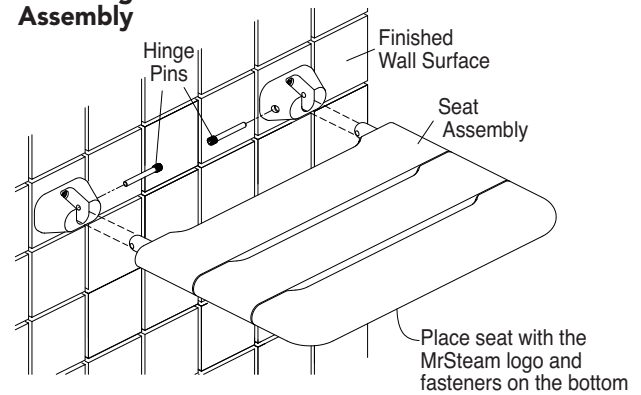
⚠ WARNING Failure to limit the wall thickness to a maximum thickness of 1 1/8" may result in WallSeat mounting failure and result in serious injury.

6. Mount the seat at a height above the floor according to personal preference. For ADA compliance, the seat is mounted 17"- 19" above the floor. NEVER mount the seat more than 24" above the floor.

⚠ WARNING Failure to mount the WallSeat 24" or less above the floor may result in serious injury.

⚠ WARNING Failure to locate the seat away from direct steam emissions may result in elevated temperature of the WallSeat itself and sitting or contacting the WallSeat may result in serious injury.

NOTICE Failure to locate the seat away from direct steam emissions may result in elevated temperature of the WallSeat and may result in seat damage.

Fig. 3 Mounting Seat Assembly

7. Using the template provided, drill four 3/8" holes into the tile and cement board. Then drill four 5/32" pilot holes into the header. Use a level to insure the holes are level. Be precise. Do not oversize or undersize the holes. Drill the pilot holes to the full 3" depth (length of the screws).

⚠ WARNING NEVER drill into electrical lines. Drilling into electrical lines may cause electrical shock which may result in fire, injury or even death.

NOTICE NEVER drill into plumbing. Drilling into plumbing may cause interior wall water leaks, which may result in rot, mold and other property damage.

⚠ WARNING Failure to drill pilot holes properly may result in mounting failure and may result in serious injury.

NOTICE Failure to space and locate pilot holes properly, according to the template holes, may result in misalignment between the seat and the mounting brackets, and the seat may not fit into the mounting brackets.

⚠ WARNING If the pilot holes are not properly spaced, do not enlarge the holes. NEVER drill multiple holes near each other. Enlarging the holes or drilling multiple holes near each other may cause mounting failure and result in serious injury.

8. Fill the mounting holes with silicone (provided) before mounting the brackets to the wall as required to prevent moisture from penetrating into the wall and/or wall cavity.

NOTICE Failure to fill the mounting holes properly may allow moisture to penetrate into the wall and/or wall cavity and result in mold, moisture damage or other moisture related problems.

9. Correctly position and mount the left and right brackets to the wall using the #12 x 3" screws provided. See figure 2 for correct positioning of both brackets. Do not over or under tighten the screws. NEVER use any other screws other than the screws provided. If the screws are missing, misplaced or damaged please call MrSteam for free replacement screws.

⚠ WARNING Failure to use the screws provided, or failure to tighten the screws properly may result in mounting failure and may result in serious injury.

Fig. 4
WallSeat Assembly

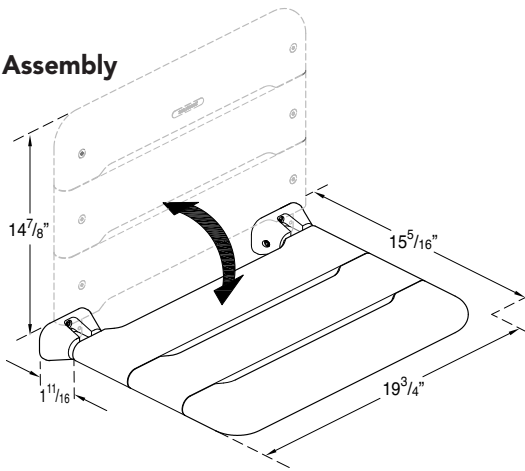
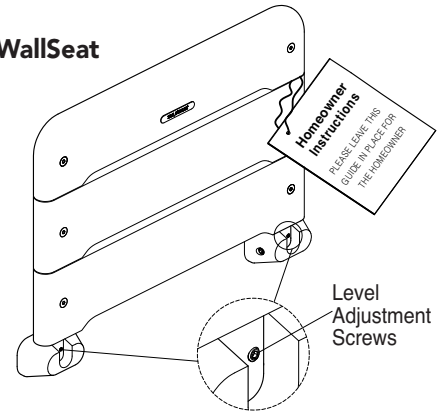


Fig. 5
Level WallSeat



10. The screws should completely penetrate the header.

WARNING Failure to install the mounting screws so they penetrate the header completely may result in serious injury.

11. Insert seat assembly to brackets. Place seat with the MrSteam logo and fasteners on the bottom. See figure 3.

CAUTION Failure to place the WallSeat with the fasteners on the bottom may result in the user contacting hot fasteners and may result in a burn hazard.

12. Insert hinge pins to both left and right brackets while the seat assembly is in vertical position. Securely tighten both hinge pins, using Allen wrench provided. See figure 3.

13. Test the finished, mounted WallSeat with 300 lbs. (136 kg.) load in a safe manner.

WARNING Testing with heaving loads can be dangerous. Testing should be performed by a qualified professional only. Failure to handle or test heavy loads properly may result in invalid test results, mounting failure or serious injury. Do not test using people as the weight.

14. If the seat is not parallel to the floor when it is in the lowered or seated position use the level adjustment screws to adjust the mounted WallSeat. An Allen wrench is provided for this purpose (See figure 5). Adjust both level screws so the WallSeat is even and it contacts both brackets at the same time.

15. The following section contains important information for the homeowner. Leave these instructions with the homeowner. Do not discard.

WARNING Failure to leave these instructions with the homeowner may result in misuse and serious injury.

16. The WallSeat has instructions for the homeowner attached to the WallSeat. DO NOT REMOVE THESE INSTRUCTIONS. These instructions contain important information for the homeowner. See figure 5.

WARNING Removing the instructions for the homeowner may result in misuse of the WallSeat and may result in serious injury.

HOMEOWNER'S SECTION

WARNING THE MAXIMUM WEIGHT CAPACITY OF THE WALLSEAT IS 250 LBS. (113 kg) WHEN INSTALLED IN ACCORDANCE WITH THESE INSTRUCTIONS. Exceeding the maximum weight may cause mounting failure, resulting in serious injury. Persons weighing more than 250 lbs. should NEVER use the seat .

WARNING NEVER use the WallSeat for any purpose other than sitting. NEVER stand on the WallSeat. Standing on the WallSeat may result in serious injury.

WARNING NEVER allow more than one person to use the WallSeat. It is intended for one person only. Use by more than one person can result in mounting failure and serious injury.

WARNING NEVER use the WallSeat for any other purpose other than passive sitting and still relaxation. Do not engage in any activities or motions that result in excessive loading or stress on the WallSeat. Such use may result in mounting failure and serious injury.

CAUTION Contact with teak may result in skin irritation or allergic reactions. If you are allergic to teak use a towel to prevent direct contact with the WallSeat.

WARNING Discontinue use of the WallSeat if any parts appear damaged, degraded or loose.

NOTICE Clean the WallSeat with mild soap and water. Do not use abrasive cleaning products.