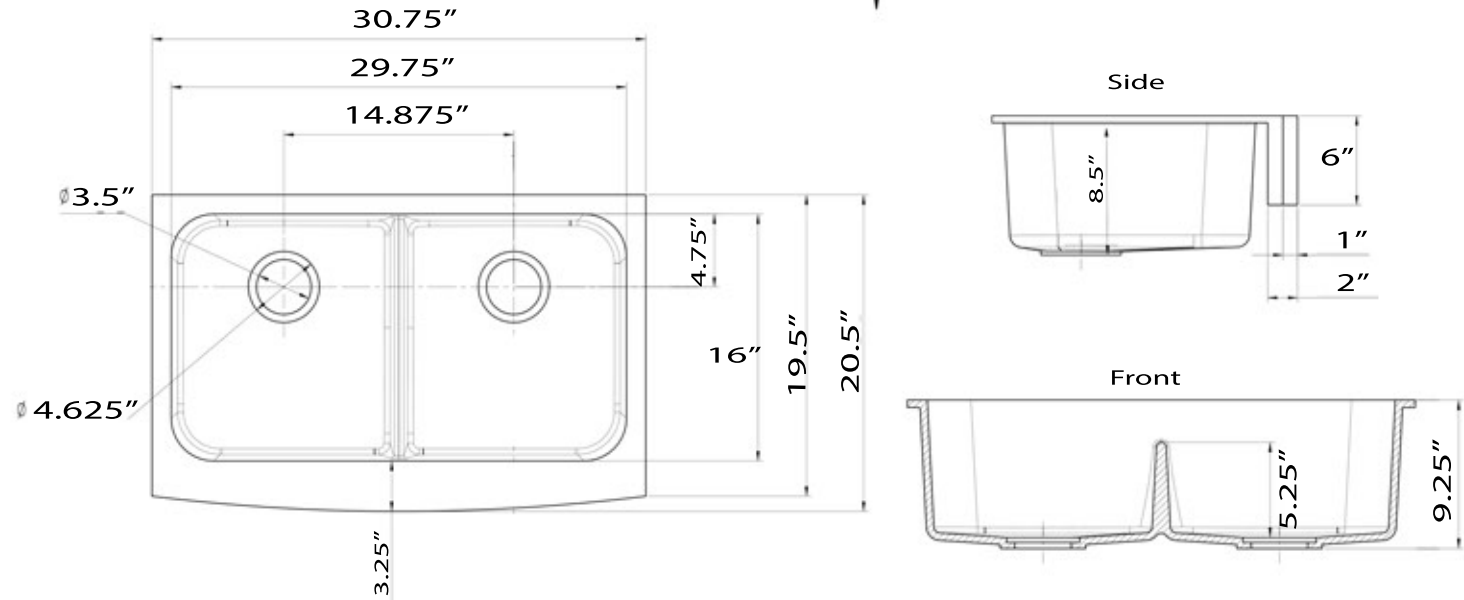


Glacierstone Collection

Double Bowl Retrofit Farmhouse Apron Sink



MODEL:
NS-GSEZA32D



Overall Dimensions	Interior Bowl	Apron Height	Short Height Divider	Drain Dimensions
30.75" x 20.5" x 9.25"	29.75" x 16" x 8.5"	6"	5.75"	3.5" Opening

Features:

- Premium Glacierstone kitchen sink
- Retrofit installation for standard base cabinet
- Grids and colander drains included
- Warranty against discoloration - 15 years
- Solid material - scratches can be buffed out (kit included)
- Heat resistant to 500°F
- Template Not Included
- Proper installation requires cutting of cabinetry fascia boards and building of supports

ATTENTION!

Designed for framed cabinets. The distance from cabinet top to the cabinet door must be greater than six inches.



PROJECT/ NAME:

ARCHITECT/CONTRACTOR:

MODEL:

JOB NOTES: