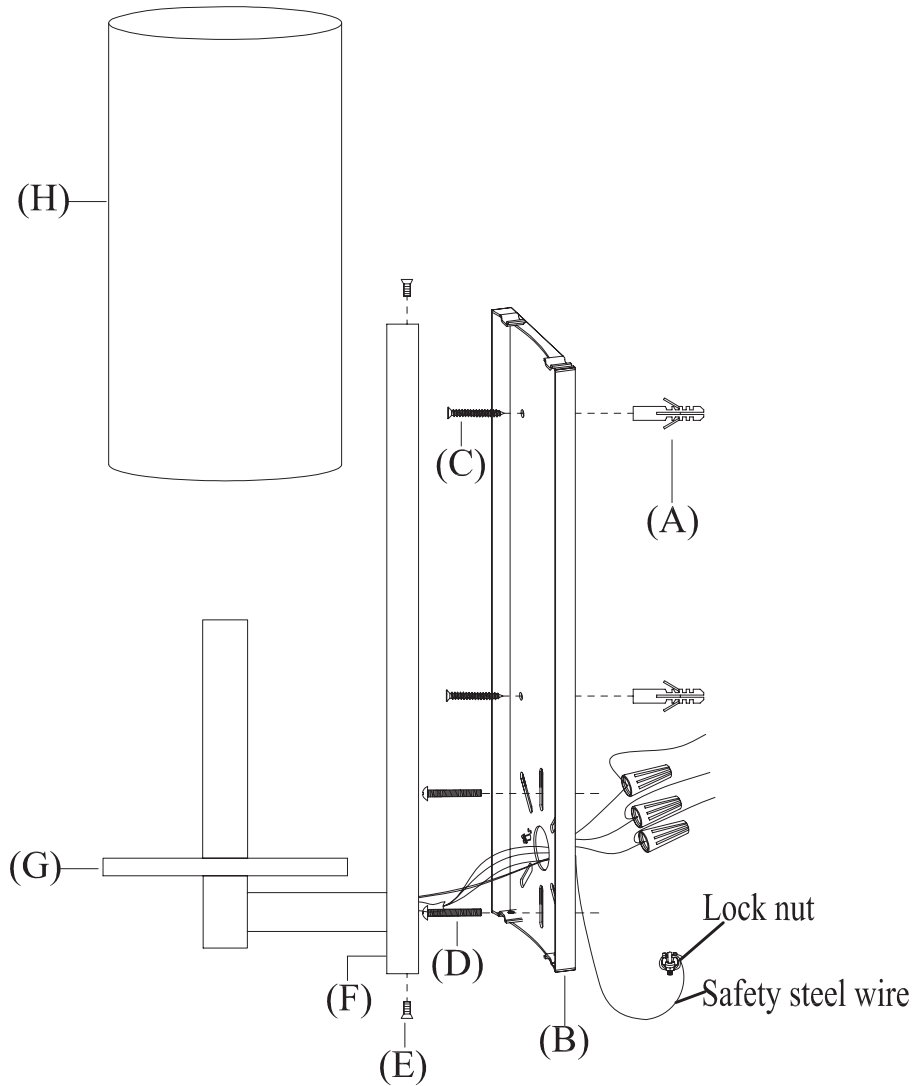


## ASSEMBLY INSTRUCTIONS



## Deauville Single Sconce

Item # ARN2010

**WE RECOMMEND INSTALLATION OF THIS LIGHTING FIXTURE BE DONE BY A LICENSED ELECTRICIAN.**

**WARNING \*\*\* SWITCH OFF THE MAIN ELECTRICAL SUPPLY FROM THE MAIN FUSE BOX/CIRCUIT BREAKER BEFORE INSTALLATION.**

**INSPECT ITEM CAREFULLY BEFORE ATTEMPTING TO INSTALL. IF THERE IS ANY DAMAGE OR OBVIOUS DEFECT, DO NOT INSTALL.**

**ITEM MAY NOT BE RETURNED ONCE IT HAS BEEN INSTALLED.**

1. Remove mounting plate (B) from fixture base (F) by removing base screws (E).
2. Place mounting plate (B) on the wall outlet box, use it as a template, mark points for both mounting holes of mounting plate (B) on the wall. Remove mounting plate (B).
3. Drill small holes on the marked points, the holes should be big enough to accommodate with plastic anchors (A). Push plastic anchors (A) into the holes.
4. Place mounting plate (B) to wall outlet box by aligning the holes, inserting mounting screws (D) to wall outlet box and screws (C) to the plastic anchors (A) to secure mounting plate (B) to the wall.
5. Attach fixtures steel safety cable to structural member in the wall.
6. Attach ground (green) wire to ground wire from wall outlet box (usually green or copper in color), fasten together with a plastic wire connector.
7. Tightly wrap the wire connector with electrical tape so the end of the connector is sealed.

IT IS IMPERATIVE THAT THE OUTLET BOX IN YOUR HOME BE PROPERLY GROUNDED.

8. Connect both neutral (white) fixture wires coming from fixture base to neutral (usually white) outlet wire. Fasten both wires together with a plastic wire connector and tightly wrap the wire connector with electrical tape.
9. Repeat the procedure with the hot (black) wires. Always make sure that no wire strands are left outside the connectors.

DO NOT REVERSE THE HOT AND NEUTRAL CONNECTIONS OTHERWISE SAFETY WILL BE COMPROMISED.

## ASSEMBLY INSTRUCTIONS

### Deauville Single Sconce

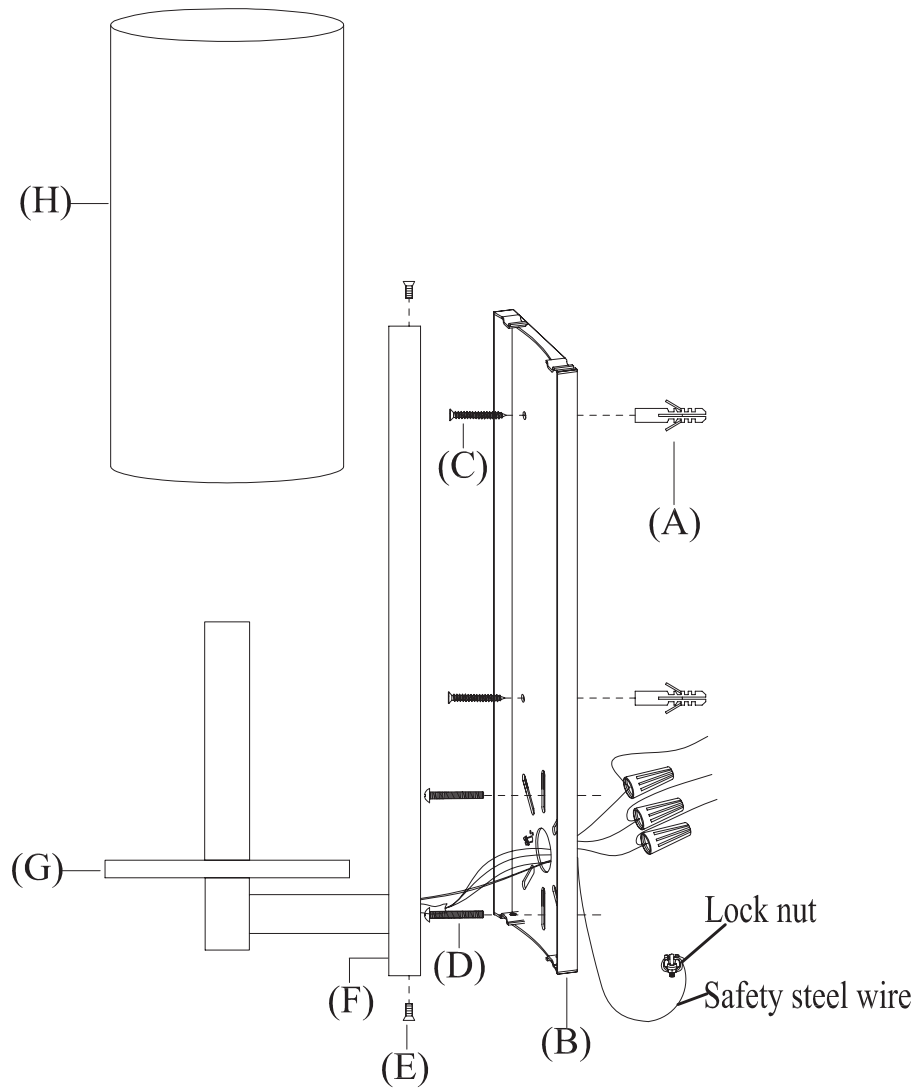
Item # ARN2010

**WE RECOMMEND INSTALLATION OF THIS LIGHTING FIXTURE BE DONE BY A LICENSED ELECTRICIAN.**

**WARNING \*\*\* SWITCH OFF THE MAIN ELECTRICAL SUPPLY FROM THE MAIN FUSE BOX/CIRCUIT BREAKER BEFORE INSTALLATION.**

**INSPECT ITEM CAREFULLY BEFORE ATTEMPTING TO INSTALL. IF THERE IS ANY DAMAGE OR OBVIOUS DEFECT, DO NOT INSTALL.**

**ITEM MAY NOT BE RETURNED ONCE IT HAS BEEN INSTALLED.**



1. Attach fixture base (F) to mounting plate (B) by aligning the holes on side of mounting plate (B) with the holes on side of fixture base (F) and tighten by inserting base screws (E).
2. Insert light bulb (NOT INCLUDED) into socket.
3. Carefully place glass cylinder (H) onto the round disk (G).