

# **WATERMARK**

MADE IN BROOKLYN, NEW YORK

## INSTALLATION INSTRUCTIONS



Exposed Thermostatic Shower Mixer

SS-EX7500, SS-EX8500, SS-EX9500



ASME A1 12.18.1

NSF61

CAS B125.1



# INSTALLATION INSTRUCTIONS

## ATTENTION

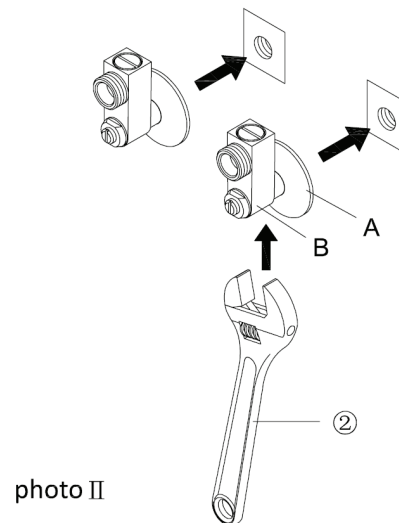
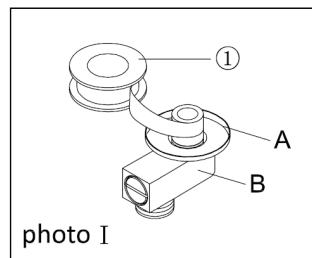
1. The cartridges in the main body have been tested and adjusted by the factory. DO NOT take the cartridges apart.
2. Ensure to clean water supply pipe before installation to avoid clogging.

## TO KEEP THE QUALITY OF THE FAUCET PLEASE FOLLOW THESE INSTRUCTIONS

- Avoid contact with newly applied paint, thinner or other harsh solvents.
- To clean, wipe your faucet with a soft cloth dampened with mild soapy water or a citrus based furniture polish. For chrome and nickel finishes, a chrome cleaner can also be used every few weeks.
- Do not use any harsh chemical cleaners or any product with ammonia.
- Avoid contact with cosmetic products, such as shaving cream, nail polish removers, or colognes.
- It is important that you keep your hardware dry. Elements in water remaining on the faucet can break down the finish. Pay special attention to area where water can settle such as the mouth of the spout and around the base of the handles.

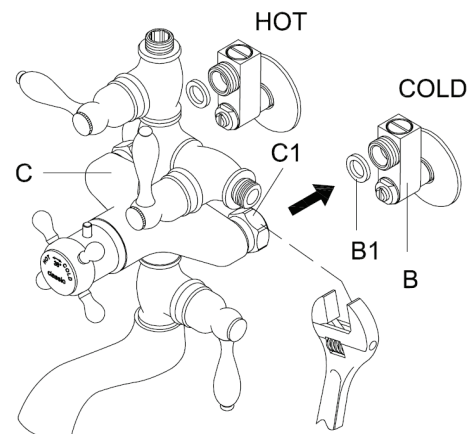
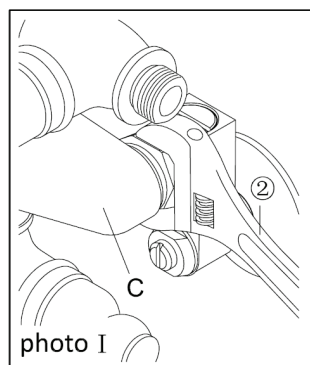
(1)

Install elbow (B) into water supply pipe (A) with pipe sealant on elbow threads (photo I) with wrench



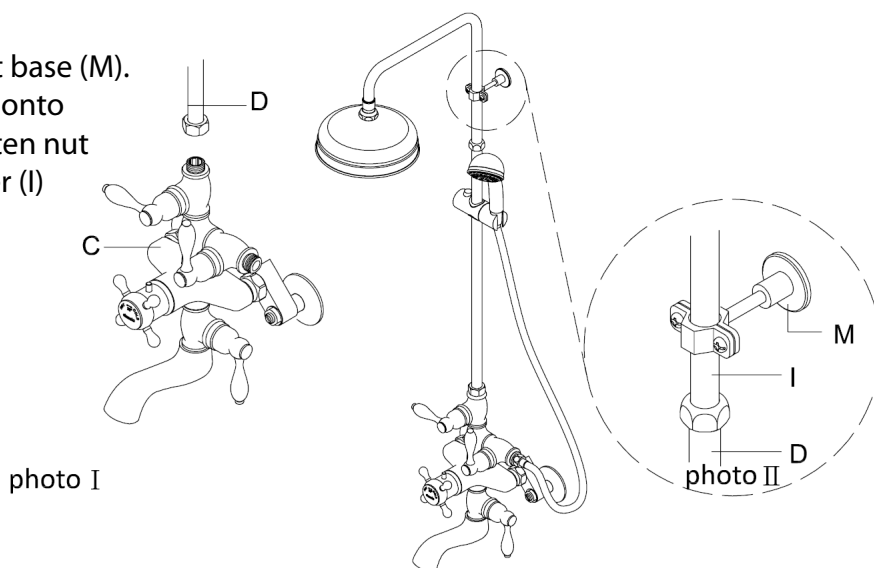
(2)

Install packing seal (B1) into hot and cold inlets in rear of faucet body (C). With a wrench, tighten faucet nut (C1) onto elbow and verify stability of faucet body (Photo I.)



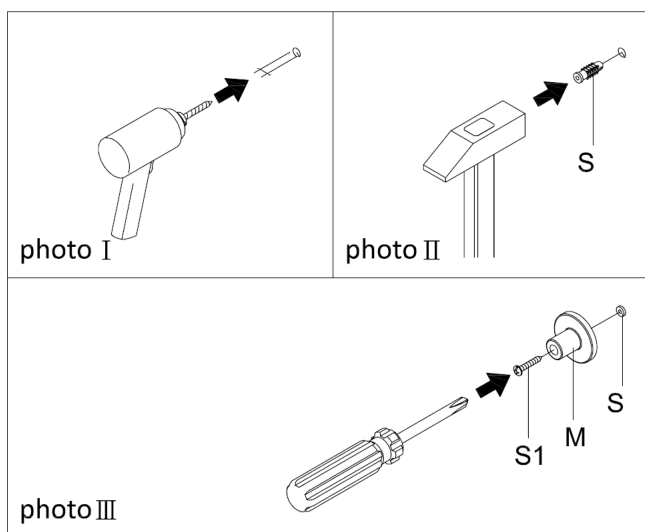
(4)

Verify position of support bracket base (M).  
Temporarily install lower riser (D) onto  
faucet body (C). Temporarily tighten nut  
to determine height of upper riser (I)



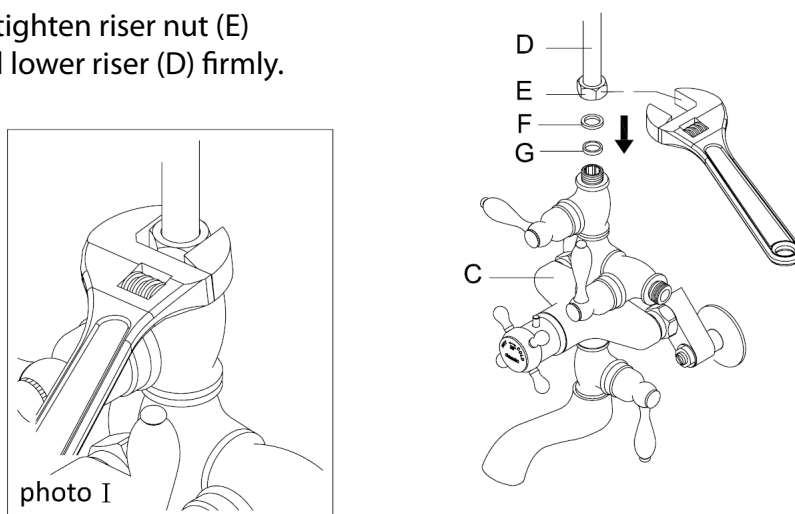
(5)

With location of support bracket  
determined above, drill a hole in  
the wall for wall anchor (S). Hammer  
wall anchor in place. Install support  
bracket base (M) to wall using screw (S1)



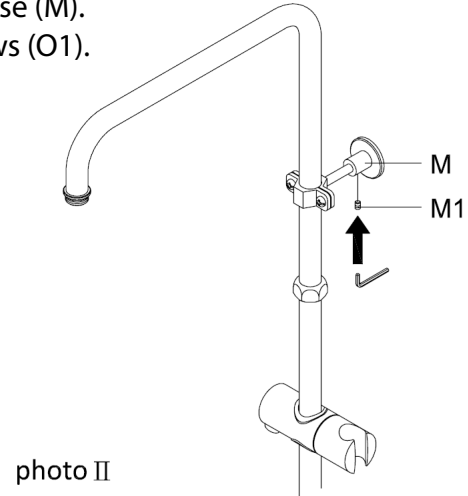
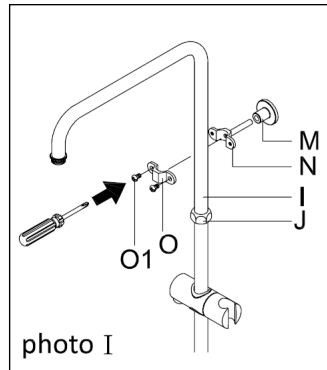
(6)

Using packing hardware (G and F), tighten riser nut (E)  
on faucet body (C) wrench to install lower riser (D) firmly.



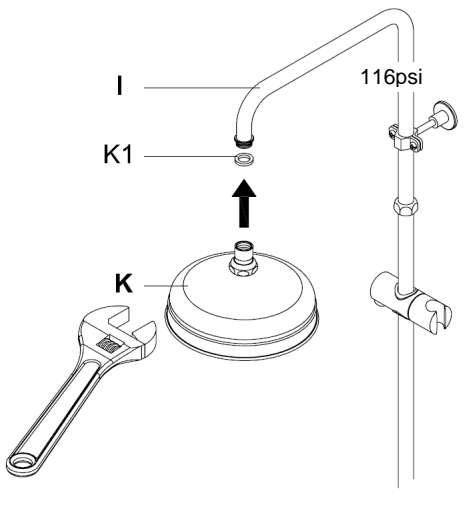
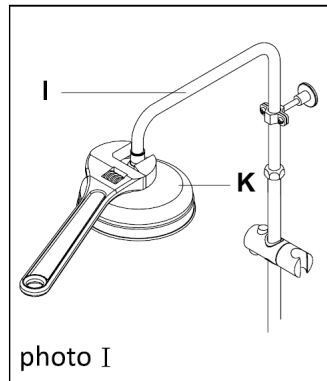
(7)

Insert support bracket post (N) into support bracket base (M). Attach support bracket (O) to upper riser (I) using screws (O1). Determine position of support bracket post (N), then fix in place using set screw (M1).



(8)

Insert packing seal (K1) onto upper riser (I), then install shower head (K) using a wrench.



(9)

Determine final height of upper riser (I). If necessary loosen support bracket screw (O1). Tighten riser nut (J) to fix upper riser (I) to lower riser (D). If necessary, re-install support bracket screws (O1).

