



California Faucets®

D Street

SINGLE HOLE LAVATORY FAUCET

5201-1

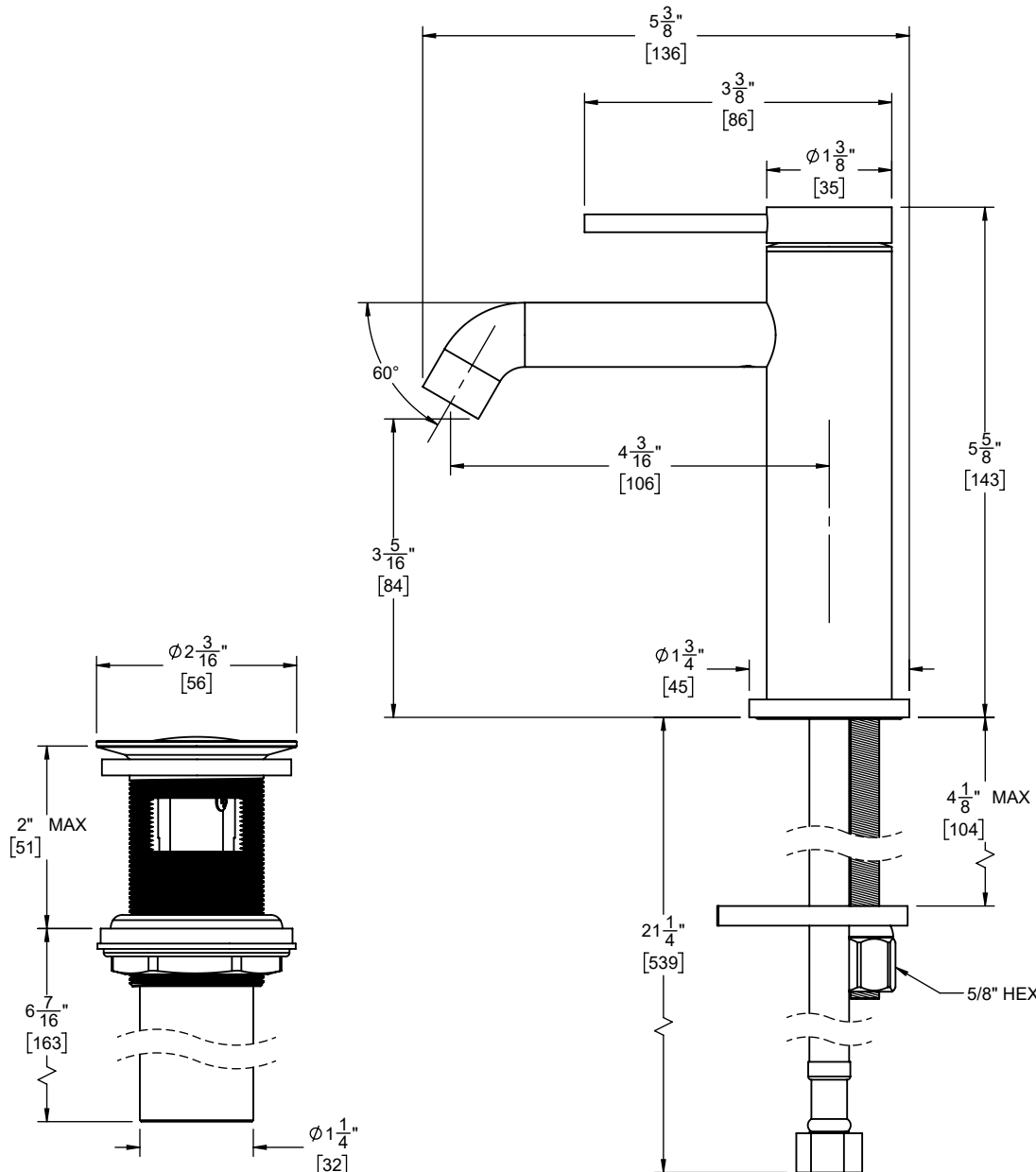
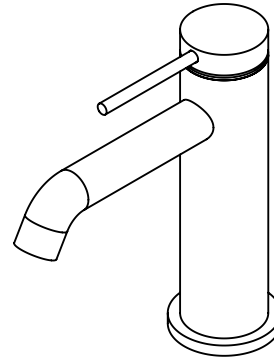
Features

- Available in 28 finishes including 13 PVD finishes
- All brass construction
- 4-3/16" spout center to center
- Single handle operation cartridge with ceramic disk
- Flexible braided hoses for ease of installation
- ϕ 1-1/4" all brass touch style pop up drain assembly
- 1.2 gpm (4.5 L/min) max flow rate

Codes/Standards Applicable

Product meets or exceeds the following:

- ASME A112.18.1/CSA B125.1
- NSF/ANSI 61 & NSF/ANSI 372
- CEC / DOE
- Commonwealth of MA
- EPA WaterSense High Efficiency Lavatory
- ADA compliant



THROUGH-HOLE SPECIFICATIONS	
MIN	RECOMENDED
SPOUT: ϕ 1-1/4 [32]	ϕ 1-3/8 [35]
DRAIN: ϕ 1-1/2 [38]	ϕ 1-3/4 [44]

SPECIFICATIONS SUBJECT TO CHANGE WITHOUT NOTICE

DIMENSIONS TO NEAREST 1/16"
DIMENSIONS TO NEAREST 1MM